

Technical

Manual

P-Series



Model DN552P-7
Beginning Production Run 6925CB

Manufactured by

Dixie-Narco, Inc.

Dixie-Narco, Inc.
P.O. Drawer 719
Williston, SC 29853-0719
803-266-5001
fax: 803-266-5049
Visit us on the web: www.dixienarco.com

Part 803,903,790.21

Table of Contents

GENERAL INFORMATION

Application.....	4
Vender Safety Precautions.....	4
Product Identification	4
Physical Characteristics	4
Receiving Inspection.....	4

A INSTALLATION & SETUP

Unpacking the Vender.....	5
Electric Power Requirements	5
Ground the Vender	5
Placing the Vender on Location.....	5
Level the Vender.....	5
Space the Vender	6
Coin Changers and Other Accessories	6
Loading the Change Tubes	6
Loading Product	7
Initial Loading	7

B PROGRAMMING

Set Vender Type.....	8
Default Space-To-Sales Setting.....	9
Service Mode	10
Historical Data	11
Interval Data – Resettable Data.....	11
Set Price	11
Cash Settings	11-13
User Menu.....	13 - 22
Diagnostics Menu	22– 24
Quick Reference Prompts	25

C GENERAL MAINTENANCE

Power.....	26
Cleaning.....	26
Refrigeration Condenser	26
Coin Acceptor.....	26
Lubricating the Vender	26
EPROM Replacement.....	27/28

D MAJOR COMPONENT DESCRIPTION

Electrical	29
Refrigeration.....	29
SBC Control Board	30

E TROUBLESHOOTING FLOWCHARTS

All Coins are Rejected.....	31
All Bills are Rejected	32
Incorrect Change Dispensed	33
Selection Will Not Vend.....	34
Ice / Frost on Evaporator.....	35
Compressor Runs Continuously	35
Compressor Will Not Start	36
Machine Not Cooling.....	37
Can't Enter the Menu or Diagnostics.....	38
Lights Are Not On	39
One or More Motors Run When Door is Closed	40
Sold Out	41
The Display is Dead.....	42
Can't Read the Display	43

Table of Contents

F	WIRING DIAGRAMS AND SCHEMATICS	
	Figure 1 – SBC Wiring Diagram	44
	Figure 2 – Compressor Wiring Diagram	45
G	PARTS LIST	
	MAIN DOOR EXTERIOR	46 - 48
	MAIN DOOR INTERIOR (A)	49
	MAIN DOOR INTERIOR (B)	50-51
	SELECT PANEL	52
	T8 LIGHTING	53
	ELECTRONIC COMPONENTS	54
	INNER DOOR	55-56
	HARNESING	57
	POWER DISTRIBUTION BOX	58
	CABINET AND VEND MECHANISM (SECTION 1)	59
	CABINET AND VEND MECHANISM (SECTION 2)	60-63
	CABINET AND VEND MECHANISM (SECTION 3)	64
	CHUTE ASSEMBLY	65
	EVAPORATOR FAN ASSEMBLY	66 - 67
	REFRIGERATION SYSTEM (SECTION ONE)	68-69
	MISCELLANEOUS LABELS	70
	SIGNS AND DECALS	71
	SCREWS & NUTS	72 - 73
	WASHERS, BOLTS, & MISC. HARDWARE	74-76

APPLICATION

This information applies to P-Series venders manufactured the third quarter 2003 which have significant differences in programming and parts content from previous venders. To order parts or information pertaining to this vender, please contact Dixie Narco.

VENDER SAFETY PRECAUTIONS

Please read this manual in its entirety. This service information is intended for use by a qualified service technician, who is familiar with proper and safe procedures to be followed when repairing, replacing, or adjusting any Dixie-Narco vender components. All repairs should be performed by a qualified service technician who is equipped with the proper tools and replacement components, using genuine Dixie-Narco factory parts.

REPAIRS AND/OR SERVICING ATTEMPTED BY UNINFORMED PERSONS CAN RESULT IN HAZARDS DEVELOPING DUE TO IMPROPER ASSEMBLY OR ADJUSTMENTS WHILE PERFORMING SUCH REPAIRS. PERSONS NOT HAVING A PROPER BACKGROUND MAY SUBJECT THEMSELVES TO THE RISK OF INJURY OR ELECTRICAL SHOCK WHICH CAN BE SERIOUS OR EVEN FATAL.



PRODUCT IDENTIFICATION

First production of P-Series August 2003

The production date of Dixie-Narco products is determined by the date code incorporated in the serial number.

The vender serial number takes the form yyyzz-xxxx. The last 4 digits (xxxx) identify the specific vender. The first 4 digits (yyyy) identify the manufacturing run that the vender was built in. The two alpha characters (zz) identify the quarter and the year the vender was built. The first alpha-character identifies the quarter.

- A = 1st quarter
- B = 2nd quarter
- C = 3rd quarter
- D = 4th quarter

The second alpha-character identifies the year:

- B = 2003
- C = 2004
- D = 2005

PHYSICAL CHARACTERISTICS

	552P
HEIGHT	72"
WIDTH	28"
DEPTH	33.5"
DEPTH WITH VALIDATOR	N/A
SHIPPING WEIGHT	600 lbs.
Loaded Weight 4 Deep Cans	1134 lbs

RECEIVING INSPECTION

Upon receipt, inspect the vender for any shipping damage. If there is any damage have the driver note the damage on the bill of lading and notify Dixie-Narco.

Although the terms of sale are FOB shipping point, which requires the consignee to originate shipping damage claims, Dixie-Narco will gladly help if you must file a claim.

The Dixie-Narco P-Series vender is designed utilizing the latest technology.

UNPACKING THE VENDERS

Remove the stretch wrap and top cover from the vender. Product cards are installed in the select buttons.



DO NOT STORE THE VENDER OUTSIDE WITH THE STRETCH WRAP ON. THIS COULD CAUSE THE STRETCH WRAP TO BOND TO THE VENDER'S SURFACE, WHICH COULD DAMAGE THE FINISH.

Remove the shipping boards from the bottom of the vender. The shipping boards are attached by the leveling legs. To avoid unnecessary damage to the leveling legs or base, remove the shipping boards by using a 1½" "socket type" wrench to unscrew the leveling legs. Be sure to replace the legs after removing the shipping boards.

WARNING



TO AVOID THE POSSIBILITY OF A FIRE HAZARD, DO NOT STORE ANYTHING OR ALLOW DEBRIS OF ANY KIND TO ACCUMULATE IN THE BOTTOM OF THE DOOR, IN AND AROUND THE REFRIGERATION COMPARTMENT OF THE CABINET, OR IN FRONT OF THE EVAPORATOR AND CONDENSER COILS.

ELECTRIC POWER NEEDED

Refer to the cabinet serial number plate to determine the proper voltage and frequency the machine requires (domestically this is 120 VAC, 60 Hertz). The cabinet serial plate also indicates the Amperage of the vender. The vender must be plugged into its own properly rated single phase, alternating current outlet with its own circuit protection (fuse / circuit breaker).

DO NOT USE AN EXTENSION CORD.

GROUND THE VENDER

The vender is equipped with a three-wire power supply cord and **MUST** be plugged into a properly grounded outlet.

DO NOT REMOVE THE GROUND PIN OR IN ANY WAY BYPASS, MODIFY, DEFEAT, OR DESTROY THE GROUNDING SYSTEM OF THE VENDER.

If the outlet will not accept the power cord plug, contact an electrician to install a proper AC outlet.



Warning

FAILURE TO COMPLY WITH THESE INSTRUCTIONS MAY SUBJECT THE USER TO THE RISK OF INJURY OR ELECTRICAL SHOCK WHICH CAN BE SERIOUS OR FATAL.

PLACING THE VENDER ON LOCATION

!! CAUTION !!



DO NOT TRANSPORT THE VENDER TO OR FROM THE LOCATION LOADED WITH PRODUCT. DAMAGE TO THE VENDER MAY RESULT.

The vender must be located on a solid, flat, and level surface. Ensure the flooring can bear the weight of a fully loaded vender (approx. 1134 lbs). The vender must be positioned close enough to an electrical outlet that an extension cord is not required. If the machine will be subject to user misuse or vandalism, it is recommended that the vender be secured to the floor or wall as described in Dixie-Narco Technical Bulletin 344. Call the Dixie-Narco Technical Service Department or your Dixie-Narco Representative for assistance.

LEVEL THE VENDER

When the vender is level, the door can be opened to any position and it will not move by itself. Open the door to several different positions before deciding the vender is level. A carpenter's level will help verify the machine is level.

Make sure that all leveling legs are in contact with the floor. If you cannot level the vender in its current location, select another location. **DO NOT** place any objects under the machine.

DANGER



THE VENDER MUST BE PROPERLY LOCATED AND LEVELED. IF THE MACHINE WILL BE SUBJECT TO USER MISUSE OR VANDALISM IT IS RECOMMENDED THAT THE VENDER BE SECURED TO THE FLOOR OR WALL AS DESCRIBED IN DIXIE-NARCO TECHNICAL BULLETIN 344 TO MINIMIZE THE RISK OF INJURY OR DEATH FROM TIPPING. CALL THE DIXIE-NARCO TECHNICAL SERVICE DEPARTMENT OR YOUR DIXIE-NARCO REPRESENTATIVE FOR ASSISTANCE.

SPACE THE VENDER

Do not block the rear of the vender. Keep the vender 4 inches (10 cm) from the wall to ensure adequate airflow to the condenser and compressor. At the front of the vender, make sure that nothing obstructs the air intake at the bottom of the main door. At the rear of the vender, make sure nothing obstructs the air exhaust at the bottom of the cabinet.



WARNING

TO AVOID THE POSSIBILITY OF A FIRE HAZARD, DO NOT STORE ANYTHING OR ALLOW DEBRIS OF ANY KIND TO ACCUMULATE IN THE BOTTOM OF THE DOOR, IN AND AROUND THE REFRIGERATION COMPARTMENT, THE CABINET, OR IN FRONT OF THE EVAPORATOR AND CONDENSER COILS.

COIN CHANGERS & OTHER ACCESSORIES

The vender must have an MDB coin changer installed and can have an MDB bill acceptor installed. If the MDB coin changer and other MDB accessories are not factory installed, refer to the instructions received from the manufacturer of the MDB coin changer and other MDB accessories for proper set-up and installation.

The vender will support the following MDB coin changers:

- Multi-Drop Coin Mech (Domestic)
 - Coinco 9302GX
 - Coinco USQ G700 Series
 - Conlux USLZ-101
 - Conlux CCM5G
 - Mars 4510
 - Mars 6512

The vender will support the following MDB bill validators:

- Multi-Drop Bill Validators (Domestic)
 - Coinco BA30B, BA50, MAG30, MAG50
 - Mars VN2512, VN2502, VN2312
 - Conlux NBU-2111-12, NBM 3000 Series
 - Ardac 5500 Series

The vender will support the following MDB card readers:

At publication, card reader dispositions were not available. Contact card reader manufacturer for proper installation and setup.

LOADING CHANGE TUBES

Open the main door and enter the “FILL Coin Mech (CF)” mode in the “CASH SET” (CS) sub-menu in Programming (see Section B – Programming).

Load the coin mechanism with coins by inserting coins in the coin mech’s separator. The display will show the total value of coins as they are inserted.

Note: A low coin level in the coin tubes will interfere with operation of the bill validator.

For additional information about coin mechanisms, refer to the specific manufacturer’s instructions.

Loading Product

The P-Series Vender is designed to vend a wide range of packages.

All P-Series Venders are shipped ready to vend packages according to customers orders. To vend an alternative package in the P-Series vender, contact Dixie Narco Technical Service Dept. or your Representative for assistance.

INITIAL LOADING

To ensure proper vending, make sure wide columns are set to vend the proper packages. When loading a wide column, the first row of packages should be loaded on the bottom bar of the oscillator. The second row of packages must be loaded on the top bar of the oscillator. Always load complete rows; do not load only to the back or only to the front of the column.

The narrow column rotors must be in the “cup” position to receive the first row of packages. When loading narrow columns, lay the first row of packages in the rotor. The second row of packages must be loaded on the load bar.

Correct loading will prevent service calls and ensure proper vending.

After loading the vender for the first time, ensure the vender is loaded and primed. Priming is done in programming. **The depth must also be programmed depending on the package to be vended. Cans may be programmed up to 4 deep.**

NOTE: To ensure proper airflow through the evaporator, DO NOT place packages (or other foreign objects) in the bottom of the tank.

SERVICE NOTE

Battery Backup (SBC)

The Single Board Controller is equipped with a battery backup which is used to retain information programmed in the system (pricing, time, date, etc.) in case of power interruptions or any time the main power is off. When the vender is shipped, the battery is connected and memory is being maintained.

Disconnect the battery if the vender will be stored for a long period of time. The following steps will guide you through this procedure.

- Remove power from the vender by unplugging the main power cord from the wall receptacle.
- Locate the Control Board on the main door. Remove the battery from its holder (B1).

Setting The Vender Type

To program with "SCOL" on the display press select button 1. The display will show "6" for six columns. Press select buttons 1 & 2 to scroll through available number of columns in the machine. When the displayed number of columns matches the number of columns in the machine, press select button 1 to set the number of columns. "MODL" will appear on the display, press select button 1. The display will show the first available model number for the current vender type. Press select button 1 & 2 to scroll through the available vender model numbers for this vender. When the vender type you wish to save is showing on the display, press select button 1. The display will scroll "1 = SET PACKAGE TYPE 2 = EXIT". Press select button 1 and the display will show "1" indicating the package type. This will allow you to set the package type of the machine if it is different that the default of package type 2. Press select button 1 & 2 to scroll through the available package types. Press select button 1 to set the displayed package type. "2=Exit 1=Prime COL1" will appear on the display. Press button 1 to prime column 1 or select button 2 to skip priming column 1. The display will then display "2=Exit 1=Prime COL2". Repeat the priming process until all columns have been primed or skipped.

6 column machines

DN552-5,
DN552-6,
DN552-7,

7 column machines

DN532-5,
DN532-6,
DN532-7,

8 column machines

DN756-7,
DN756-8,
DN756-9,
DN756-10,
DN756-11,
DN756-12,
DN756-13,
DN756HV-12,

10 column machines

DN760-9,
DN760-10,
DN760-11,
DN760-12,
DN760-13,
DN760HV-12,

The following are other model numbers that may appear:

6 column machines

DN552-5,
DN552-6,
DN552-7,
DN552-8,

7 column machines

DN532-5,
DN532-6,
DN532-7,
DN532-8,

8 column machines

DN756-7,
DN756-8,

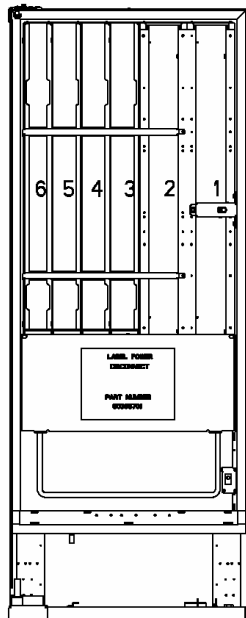
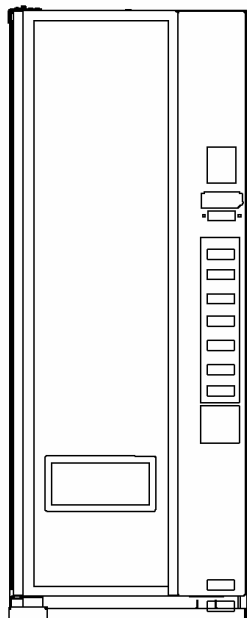
8 column machines (continued)

DN756-9
DN756-10
DN756-11
DN756-12
DN756-13

10 column machines

DN760-9
DN760-10
DN760-11
DN760-12
DN760-13

Factory Default Setting

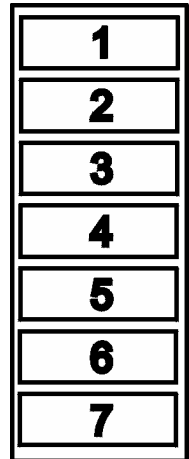


Selection #	Column #
1	1
2	1
3	2
4	3
5	4
6	5
7	6

SBC PROGRAMMING METHOD

AUGUST 2003

P-SERIES



The controller has two modes of operation:
NORMAL and SERVICE.

NORMAL MODE:

In Normal Mode, on power up display will show the software version installed in vender for 10 Seconds, then change to Ice Cold Drink message, Product Price, Sold Out, Credit Value, or decimal point. If the right most decimal is flashing, this indicates an error or problem recognized in the vender. When money is inserted, the display indicates the total amount of the deposit. The select buttons are used to select the product. In normal mode you may access an external menu for reading historical sales total, product total, product total by selection, sales by price totals, and machine temperature.

Note: If "SCOL" appears on the display on power up with the door open, you will need to program the vender model number in the controller. **Refer to Setting The Vender Type** on page 8.

SERVICE MODE:

The Service Mode is entered when the vender door is open and the service switch is pressed. The display will show a list of error codes for errors that have occurred since the door was last opened. VS is a vend sensor problem, HS # is a vend mechanism home sensor problem, CJ # is a vend mechanism jammed, SS # is a select switch problem, RFRG is a refrigeration or temp sensor problem, and DS is a door switch open problem. To acknowledge an error, press select button 1, at this time you will enter the service menu. The display will show **HD** at this time. Some of the menu items have sub-menus.

To move through the menus and sub-menus follow these instructions. To:

- | | |
|--------------------|---|
| MOVE THROUGH MENU: | Press select buttons 1 & 2 simultaneously to scroll down through the menu. While scrolling down through menu, release for 2 seconds, press select buttons 1 & 2 simultaneously to scroll up through menu. |
| ENTER SUB-MENU: | Press and hold select button 1 to enter a sub-menu. |
| EXIT SUB-MENU: | With "Return" (RTN) on display, press and hold select button 1 to exit a sub-menu. |

EXIT SERVICE MODE:

Closing the inner door, pressing select button 1 when RTN is displayed at the top menu level, pressing the service button a second time, or a five-minute inactivity time-out will exit the service mode.

FRONT PANEL PROGRAMMING SERVICE MENU

HD – HISTORICAL DATA

This function shows the user the vender accounting over the life of the vender. Use the following select buttons to view the total sales in dollars, total number of vends and the total number of vends for each selection.

Press Select Button 1: Shows the historical total cash sales for the life of the vender.

Press Select Button 2: Shows the historical total number of vends.

Press Select Button 3: Shows the historical number of vends by selection. Each selection automatically scrolls across the display.

Press & hold select buttons 1 & 2 simultaneously to move to the next item on the menu.

RD – RESETTABLE DATA

This function shows the user the vender accounting data since the last counter reset. This data can be reset either from the menu or by DEX interrogation.

Press Select Button 1: Shows the total cash collected since the last counter reset

Press Select Button 2: Shows the total number of vends since the last counter reset.

Press Select Button 3: Shows the total number of vends by selection since the last counter reset Each selection automatically scrolls across the display.

Press Select Button 4: This button zeros the interval data described above. Hold select button “4” for 5 seconds, “the display will go blank” then (“C RS”) “Counters Reset” will be displayed. At this time, all interval data will return to “0”.

Press & hold select buttons 1 & 2 simultaneously to move to the next item on the menu.

S-P – SET PRICE

This function is used to set the price of each selection. When a select button is pressed, the price for that selection will be displayed. If the button is held in, the price will increment or decrement. To change from increment to decrement, release the select button and press it again. To set all selections for the same price: set the desired vend price on select 1, then simultaneously press and hold buttons 3 & 4, the price set for select 1 will be displayed. After 5 seconds the display will show (SPS) “Single Price Set”, this will change the vend price of all selections, both primary and secondary, to the price programmed for selection 1.

Note: The SBC multi-pricing capability allows you to set all the selections to any price in the range of \$0.00 to \$99.95.

Press & hold select buttons 1 & 2 simultaneously to move to the next item on the menu.

C-S – CASH SETTINGS

This function is used to configure credit handling rules for the vender. To move to “User Menu” (USER), press & hold select buttons 1 & 2 simultaneously. Press button 1 to enter Cash Settings Menu. The following are sub-menus of the Cash Settings: (CF) Fill Coin Mech, (CD) Dump Coin Mech, (CR) Coin Rules, (ESC) Escrow, (MV) Multi Vend, and (RTN) Return.

C-F – COIN FILL MECH

This function is used to count coins loaded in the top (separator) of the coin mech. When “Fill Coin Mech” is displayed the coin mech will accept tubed coins. When the first coin is inserted, “Fill Coin Mech” will be replaced with the cash value of coins in the coin tubes. The total value of the coins inserted will be displayed and will be counted in the DEX audit data, so the controller knows exactly how much change is in the coin mech.

Press & hold select buttons 1 & 2 simultaneously to move to the next item on the menu.

C-D - COIN DUMP

This function is used to dump coins from the coin mechanism. Press select button 1 to enter mode and the lowest coin value dispensable will show on the display. Press and hold select buttons 1 & 2 simultaneously to scroll through the different coin values available to dump coins. Press and hold select button 1 to dispense the coins whose value is shown on the display. Press and hold select buttons 1 & 2 simultaneously until “Return”(RTN) shows on the display. Press select button 1 will return to “Dump Coin Mech”.

Note: If a level 3 coin mech with Alternate Payout mode is installed, the coin mech will stop dispensing coins when the coin mech’s coin count reaches 0.

CR – COIN RULES

This condition is used to allow the exact change condition to be turned on or off. When off, the controller will not go in the exact change condition. This will allow bills or coins to be accepted regardless of the ability to pay back non-refundable currency. When turned on, the controller will set the exact change condition based on the ability to pay back non-refundable currency (i.e. Coins, paper). To show current condition press select button 1. Press and hold select button 1 to toggle “Coin Rules” between “On” and “Off”.

ESC - ESCROW

This function supports 4 (four) escrow options. Pressing select button 1 will show the current escrow setting. Press and hold select button 1 to scroll through the available escrow options. To set the escrow mode, release select button 1 when the desired setting is displayed.

PR – ESCROW TO PRICE

This escrow condition is forced vend option 1 (“escrow to price”). All dollar bills will be stacked. No cancel sale is allowed once minimum vend price is met or exceeded.

EP 2 – ESCROW NO CANCEL

This escrow condition is forced vend option 2 (“escrow no cancel”) with all bills stacked, and no cancel sale allowed unless the vender is in exact change and the maximum vend price is exceeded. Note: Any money entered below the vend price cannot be returned.

ES 4 – Escrow to Select 4

This escrow condition is “escrow to select” with all the dollar bills being stacked. Cancel sale will return the deposit from the coin changer (i.e.4 quarters).

ES 1 – Escrow to Select 1

This escrow condition is “escrow to select dollar bills” with the last dollar bill that meets or exceeds maximum vend price being escrowed in the note acceptor. Cancel sale will return the held dollar bill and any amount over \$1 will be returned from the coin changer.

Press & hold select buttons 1 & 2 simultaneously to move to the next item on the menu.

MV – MULTI VEND

This function, when turned on, allows credit to be retained after a vend so the customer can vend from another selection. (i.e..50 vend price, put in \$1.00, push a select button and vends, .50 still shows on the display, push a second select button and vends). Credit is cancelled after 5 minutes of inactivity. There is unlimited acceptance. If a customer wants their credit (money) back, the coin return lever must be pressed. To show the current “Multi Vend” condition, press select button 1 and the display will show the current setting. Press and hold button 1 to toggle “Multi Vend” between “On” and “Off”.

Press and hold select buttons 1 & 2 simultaneously to move to “Return”.

RTN - RETURN

Press and hold button 1 to return to “Cash”.

USER

This function is used to configure the vender to operate in a fashion best suited for the vender location. To move to “Diagnostics”(DIAG), press & hold select buttons 1 & 2 simultaneously, to enter the User Menu sub-menus press select button 1. The following are sub-menus of the User Menu: Space To Sales(STS), Column(CL), Time, Language(LANG), Electronic Counter(ECNT), Limited Access(LIM), Secondary Price(SEC), Environmental Controls(ECTL), Light(LT), Refrigeration(RFRG), Free Vend(FREE), Override(OVER), Sales Message(SSM), Recharge(R-CH), and Return(RTN). The “Column” sub-menu prompt will only be available in machines with DC motors.

STS – SPACE TO SALES

To view the space to sales condition, press select button 1 and display will show (SEL 1) “Selection 1”. Alternating with columns assigned to that select button. Press select buttons 1 & 2 simultaneously to scroll through the available select buttons to view columns assigned and “Return”.

To change space to sales

Press select button 1 at the “SEL #” prompt (CL## #)(column edit routine) will be displayed, where the ## is the column to be added or deleted to the select button and the third # is “0” for not assigned or “1” for assigned to that selection. Press select button 1 with “CL ## #” on the display to toggle between “CL ## 0” and “CL ## 1”. With the setting you wish to use showing on the display, press select buttons 1 & 2 to scroll to next columns to add/delete columns. Press select button 1 at the “Return” prompt when selecting columns to enable, will return to “SEL #”. Press select button 1 at the “RTN” prompt when choosing what selection to set for Space to Sales, will return to “STS”.

Note: You must be in the “Selection” prompt to get to the “Return” mode that goes back to “Space To Sales”.

Press & hold select buttons 1 & 2 simultaneously to move to the next item on the menu.

CL- Column This prompt only appears on machines with DC motors.

Select this prompt to set column depth, package type and vend angles if the package type is custom. This will scroll through the list of columns 1--- 9, “ALL” or “Return”(RTN) to select what column(s) will have its settings changed. Pressing button 1 will display “Column # ”(CL #) where # represents the column number.

Pressing select buttons 1 & 2 simultaneously will scroll through the columns.

Press select button 1 to scroll to “Package”

“**Pack**” **Package** - is the next prompt. Press select buttons 1 & 2 simultaneously after entry into this sub-menu will toggle between “Pack” and “RTN”. Pressing select button 1 when “Pack” is displayed allows setting the package type for the column selected in the column prompt. Pressing select button 1 will show current package setting. (i.e.1, 2, 3, ..., “CUST” (CUSTOM), and “RTN” (RETURN). Press select buttons 1 & 2 simultaneously to scroll through the package settings.

Press select button 1 to select the package type that is displayed.

If a predefined package type(1, 2, 3, 4, or 5) is selected

After the package type has been selected , “Key 1 = Prime Key 2 = Exit” will be displayed. Press button 1 to prime the column with product or button 2 to exit without priming the column. If select button 2 is pressed the column will be marked as jammed and will prime when the door is closed.

HA - Hold Angle - Will only be displayed if the package type selected is custom.

This allows setting the hold angle for the column selected in the column prompt. Press select button 1 to display the current hold angle, HA ###. Press select buttons 1 & 2 simultaneously to scroll through hold angles. Press select button 1 to select the displayed hold angle. “Depth”(DEEP) will be displayed after the hold angle is set.

“DEEP” – Depth - Will only be displayed if the package type selected is custom.

This allows setting the product depth for the column selected in the column prompt. The current product depth, DP # is displayed when select button 1 is pressed. Press select buttons 1 & 2 simultaneously to scroll through available product depths. Press select button 1 to select the displayed depth.

“VA”- Vend Angle - Will only be displayed if the package type selected is custom.

This allows setting the vend angles for the column selected in the column prompt. VA# ### will be displayed where the first # is the product number in the column and the ### is the vend angle for that product. The user will be prompted to enter to same number of vend angles as was entered at the “DEEP” prompt. After the last vend angle is entered the display will show “2 = EXIT 1 = PRIME”. Press button 1 to prime the column with product or button 2 to exit without priming the column. If select button 2 is pressed the column will be marked as jammed and will prime when the door is closed.

“RTN” - Return

Pressing select button 1 will return to “Column” (CL)

Press and hold select buttons 1 & 2 simultaneously to move to the next item on the menu

Time

This function is used to set the year, month, day, hour/minute (military 24 hour clock), and daylight savings time. Press select button 1 and “Year” will show on display. Press select buttons 1 and 2 simultaneously to scroll through all “Time” sub-menus.

“Year”- Year Setting (2000 to 2099)

Press select button 1 the current year setting will show on display.

Press and hold select button 1 to increment the year setting (2000 to 2099).

Release select button 1 and press and hold again will decrement the year setting.

Release the select button with the display showing the year you wish to use and display will return to “Year”.

Press select buttons 1 & 2 simultaneously to scroll to “MTH”.

”MTH” - Month Setting (01 to 12)

Press select button 1 and the current 2-digit month setting will show on display.

Press and hold select button 1 to scroll through the month settings. (01-Jan. to 12-Dec).

Release the select button with the display showing the month you wish to use and display will return to “MTH”.

Press select buttons 1 & 2 simultaneously to scroll to “Day”.

“Day” - Day of Month Setting (1 to 31)

Press select button 1 and the current 2-digit day of month setting will show on display.

Press and hold select button 1 to scroll through the day of month settings (1 to 31).

Release select button 1 and press and hold again will decrement the day of month setting.

Release the select button with the display showing the day of month setting you wish to use and display will return to “Day”.

Press select buttons 1 & 2 simultaneously to scroll to “Hour/Minute”.

“Hour/Minute”(HR/M) - Hour and Minute Setting (0000 to 2359)

Press select button 1 and the current 4-digit hour and minute setting will be displayed (24 hour).

Press and hold select button 1: Set Hours

Press and hold select button 2: Set Minutes

Press select buttons 1 & 2 simultaneously to move to the next item in the menu.

“DST” - Daylight Savings Time

Press select button 1 and the current setting will show on the display.

Press and hold select button 1 to scroll through the “Daylight Savings Time” options listed:

“NA” -American – North American rules – Set forward 1 hour at 2:00 am on the first Sunday in April; Set backward 1 hour at 2:00 am on the last Sunday in October.

“EU” - European – European rules – Set forward 1 hour at 1:00 am on the last Sunday in March; Set backward 1 hour at 1:00 am on the last Sunday in October.

“AUS” - Australian – Australian rules – Set forward 1 hour at 1:00 am on the first Sunday in October; Set backward 1 hour at 1:00 am on the last Sunday in March.

“Off” – Daylight savings time change will not be made.

Release the select button with the display showing the “Daylight Savings Time” setting you wish to use and display will return to “Daylight Savings Time”.

Press and hold select buttons 1 & 2 simultaneously to move to “Return”.

Return (RTN)

Press select button 1 to return to “Time”.

LANG - LANGUAGE

This function is used to set the language that will be used for sales mode messages. To display the current language selected, press select button 1. To change the language selected, press & hold select button 1 to scroll through the language menu. Once the desired language is shown on the display, release the button. The display will then return to “LANG”.

ENGL	English	SPN	Spanish
FRN	French	SLOV	Slovene
GERM	German	FNN	Finnish
ITA	Italian	NOR	Norwegian
PORT	Portuguese		

Press and hold select buttons 1 & 2 simultaneously to move to the next item on the menu.

ECNT – “ELECTRONIC COUNTER”

This function is used to set the four (4) button code that will show historical cash sales, historical total vends, historical product counts by selection, historical product counts that have occurred for prices, and cabinet temperature when the vender is in sales mode. Press select button 1 to view the current four (4) button code.

To change "ECNT" four button code:

At "ECNT" press select button 1, "####" (representing current four button code) will show on display ("4231" is the factory default code). Press and hold select button 1 until the far left digit is replaced by an "*" indicating it can be changed. Press the select button desired for the first digit of the code. The next digit will be replaced by an "*" press the select button desired for that digit of the code. Continue this process until all 4 digits are set. After the last digit is entered the display will return to "ECNT".

Note: The four-button code must use select buttons 1 through 9 only.

Enter the four button code while in sales mode to view the data. Once entered the listed data is available from the front of the vender:

- Press select button 1: Show historical cash sales.
- Press select button 2: Show historical total vends.
- Press select button 3: Show historical product counts by selection.
- Press select button 4: Show historical cash sales by selection
- Press select button 5: Show temperature inside the cabinet.
- Press select button 6: Returns to sales idle mode (sales vender operation).

Note: There is a thirty (30) second time-out that will return the vender to sales mode if no select buttons are pressed.

Press & hold select buttons 1 & 2 simultaneously to move to the next item on the menu.

LIM – LIMITED ACCESS

This function is used to program the vender to use the Limited Access Features. To move to Secondary Price Menu, press & hold select buttons 1 & 2 simultaneously, to enter the sub-menu press select button 1. The following are sub-menus of the Limited Access Menu: (LAOS) "Selects", "Days", (STR1) "Start 1", (STP1) "Stop 1", (STR2) "Start 2", (STP2) "Stop 2", and (RTN) "Return".

(LAOS) – LIMITED ACCESS ON SELECTION

This function is used to set selection(s), which, will be limited during certain periods of the day. To view the selection setting condition, press select button 1. The display will show "Selects## #"(## #) where ## is the selection number and # is a "0" OR "1" depending on whether the selection is enabled (1) or disabled (0). Press and hold select button 1 to toggle between "0" & "1". Press select buttons 1 & 2 simultaneously to scroll through all available select buttons, "NONE", "ALL", and "RTN". Pressing select button 1 when "ALL" is displayed will cause the display to change to "ON" when all selections have been enabled. Pressing select button 1 when "NONE" is displayed will cause the display to change to "OFF" when all selections have been disabled. Press select button 1 at the "RTN" prompt returns to "Selects".

Press & hold select buttons 1 & 2 simultaneously to move to the next item on the menu.

Days

This function is used to set the days of the week to be affected by limited access.

Day of Week:

(SUN) Sunday	(WED) Wednesday	(SAT) Saturday	(RTN) Return (RTN)
(MON) Monday	(THUR) Thursday	(ALL) All Days	
(TUE) Tuesday	(FRI) Friday	(NONE) No Days	

Press select button 1 and "Monday #" will show on the display, where # is "0" (disable) or "1" (enable). Press and hold select button 1 to toggle between "0" and "1". Release the select button with the display showing the setting you wish to use. Press select buttons 1 & 2 simultaneously to scroll through all available days, "ALL", "NONE", and "RTN". Pressing select button 1 when "ALL" is displayed will cause the display to change to "ON" when all days have been enabled. Pressing select button 1 when "NONE" is displayed will cause the display to change to "OFF" when all days have been disabled. Press select button 1 at the "RTN" prompt returns to "Days".

Press & hold select buttons 1 & 2 simultaneously to move to the next item on the menu.

STR1 - Start 1

This function is used to set the hours and minutes to start period 1 limited access. Press select button 1 and the current four-digit hour and minute setting will be displayed (24 hour).

Press & hold select button 1: Set Hours

Press & hold select button 2: Set Minutes

Press select buttons 1 & 2 simultaneously to move to the next item in the menu.

STP1 - Stop 1

This function is used to set the hours and minutes to stop period 1 limited access. Press select button 1 and current four-digit hour and minute will be displayed. (24 hour).

Press & hold select button 1: Set Hours

Press & hold select button 2: Set Minutes

Press select buttons 1 & 2 simultaneously to move to the next item in the menu.

STR2 - Start 2

This function is used to set the hours and minutes to start period 2 limited access. Press select button 1 and the current four-digit hour and minute setting will be displayed (24 hour).

Press & hold select button 1: Set Hours

Press & hold select button 2: Set Minutes

Press select buttons 1 & 2 simultaneously to move to the next item in the menu.

STP2 - Stop 2

This function is used to set the hours and minutes to stop period 2 limited access. Press select button 1 and the current four-digit hour and minute setting will be displayed (24 hour).

Press & hold select button 1: Set Hours

Press & hold select button 2: Set Minutes

Press select buttons 1 & 2 simultaneously to move to the next item in the menu.

RTN - Return

Press select button 1 to return to "LIM".

Press & hold select buttons 1 & 2 simultaneously to move to the next item on the menu.

SEC – SECONDARY PRICING

This function is used to program a second price for each selection. To move to Environmental Controls, press & hold select buttons 1 & 2 simultaneously. To enter the sub-menu press select button 1. The following are sub-menus of the Secondary Price Menu: (S-P2) "Price", "Days", (STRT) "Start", "Stop", and (RTN) "Return".

S-P2 - Price

This function is used to set the price of each selection. When a select button is pressed, the price for that selection will be displayed. If the button is held in, the price will increment or decrement. To change from increment to decrement, release the select button and press it again.

Note: The SBC multi-pricing capability allows you to set all selections to any price in the range of \$0.00 to 99.95.

Press & hold select buttons 1 & 2 simultaneously to move to the next item on the menu.

Days

This function is used to set the days of the week to be affected by secondary pricing.

Day of Week:

(SUN) Sunday	(WED) Wednesday	(SAT) Saturday	(RTN) Return (RTN)
(MON) Monday	(THUR) Thursday	(ALL) All Days	
(TUE) Tuesday	(FRI) Friday	(NONE) No Days	

Press select button 1 and "MON" will show on the display, where # is "0" (disable) or "1" (enable). Press and hold select button 1 to toggle between "0" and "1". Release the select button with the display showing the setting you wish to use. Press select buttons 1 & 2 simultaneously to scroll through all available days, "ALL", "NONE", and "RTN". Pressing select button 1 when "ALL" is displayed will cause the display to change to "on" when all days have been enabled. Pressing select button 1 when "NONE" is displayed will cause the display to change to "off" when all days have been disabled. Press select button 1 at the "RTN" prompt returns to "Days".

Press & hold select buttons 1 & 2 simultaneously to move to the next item on the menu.

STRT - Start

This function is used to set the hours and minutes to start secondary pricing. Press select button 1 and the current four-digit hour and minute setting will be displayed. Press and hold select button 1 to change the hour setting, press button 2 to change the minute setting.

Press select buttons 1 & 2 simultaneously to move to the next item in the menu.

STOP - Stop

This function is used to set the hours and minutes to stop secondary pricing. Press select button 1 and the current four-digit hour and minute setting will be displayed. Press and hold select button 1 to change the hour setting, press button 2 to change the minute setting.

Press select buttons 1 & 2 simultaneously to move to the next item in the menu.

RTN - Return

Press button 1 to return to Secondary Pricing

Press buttons 1 & 2 to scroll to the next item in the menu

ECTL – ENVIRONMENTAL CONTROLS

This allows the user to view the energy conservation menu "LT" - "Lighting", "RFRG" – "Refrigeration", and also the "Relay" test menu. **When this is programmed to "Off" you will not see (LT), (RFRG) or (RLY).** Press select button 1 and the current setting will be displayed (On or Off). Press and hold select button 1 to toggle between on and off (**This feature is "On" from the factory on P-Series machines**). To move to "LT" Light, press & hold select buttons 1 & 2 simultaneously with this feature on. To move to "FREE" - Free Vend, press & hold select buttons 1 & 2 simultaneously with this feature off.

LT – Lighting available only when Environmental Controls are set to on.

This function is used to turn the lights off during certain periods of the day. To enter the sub-menu press select button 1. The following are sub-menus of the Light Menu: “Days”, (STRT) “Start”, “Stop”, (ENAB) “Enable”, and (RTN) “Return”. To move to Refrigeration, press & hold select buttons 1 & 2 simultaneously.

Pressing select button 1 will enter “Days”.

Days

This function is used to set the days of the week to turn lights off.

Day of the week:

(SUN) Sunday	(WED) Wednesday	(SAT) Saturday	(RTN) Return (RTN)
(MON) Monday	(THUR) Thursday	(ALL) All Days	
(TUE) Tuesday	(FRI) Friday	(NONE) No Days	

Press select button 1 and "MON#" will show on the display, where # is "0" (disable) or "1" (enable). Press and hold select button 1 to toggle between "0" and "1". Release the select button with the display showing the setting you wish to use. Press select buttons 1 & 2 simultaneously to scroll through all available days, "ALL", "NONE", and "RTN". Press select button 1 at the "RTN" prompt returns to "Days".

Press & hold select buttons 1 & 2 simultaneously to move to the next item on the menu.

STRT - Start

This function is used to set the hours and minutes to start lighting routine.

Press select button 1 and the current four-digit hour and minute setting will be displayed. (24 hour).

Press & hold select button 1: Set Hours

Press & hold select button 2: Set Minutes

Press select buttons 1 & 2 simultaneously to move to the next item on the menu.

Stop

This function is used to set the hours and minutes to stop lighting routine.

Press select button 1 and the current four-digit hour and minute setting will be displayed. (24 hour)

Press & hold select button 1: Set Hours

Press & hold select button 2: Set Minutes

Press select buttons 1 & 2 simultaneously to move to the next item on the menu.

ENAB - Enable

This function is used to allow the lighting routine to go in to affect.

Press select button 1 and the current setting will be displayed (On or Off).

Press and hold select button 1 to toggle between "On" and "Off".

Release the select button showing the setting you wish to use and display will return to "Enable".

Press select buttons 1 & 2 to scroll to "Return".

RTN - Return

Press select button 1 to return to "Light".

Press & hold select buttons 1 & 2 simultaneously to move to the next item on the menu.

RFRG - REFRIGERATION

This function is used to electronically control the refrigeration operations of the vender. . To enter the sub-menu press select button 1. The following are sub-menus of the Refrigeration Menu: (TEMP) "Temperature", (C-F) "Celsius or Fahrenheit", (DSP) "Display", "Days", (STRT) "Start", "Stop", (S-T) "Storage Temperature", (S-E) "Storage Enabled", and (RTN) "Return". To move to (FREE) Free Vend, press & hold select buttons 1 & 2 simultaneously.

Press select button 1 will enter "Temperature".

**TEMP - Temperature
(Default Temperature 35°F/15°C)**

This function is used to set the average product temperature for initial pull down and reload recovery.

Press select button 1 and "tt.tx" will show on the display where x is F (Fahrenheit) or C (Celsius) and tt.t is the degrees.

Press and hold select button 1 to increase or decrease the number by 1F or 0.5C. Release select button with the display showing the temperature you wish to use and display will return to "TEMP".

Press select buttons 1 & 2 to scroll to "C" or "F".

(C-F) - Celsius or Fahrenheit

This function is used to set the degree reading to (F) Fahrenheit or (C) Celsius.

Press select button 1 and the current setting will show on the display. Press and hold select button 1 to toggle between F and C. Release the select button with the display showing the setting you wish to use and display will return to "C" or "F".

Press select buttons 1 & 2 to scroll to "DSP".

(DSP) - Display

This function is used to enable the Temperature to be displayed following the "Ice Cold Drink" message. "SSM" "**Sales Message**" **must also be set to On for the temperature to be displayed.**

Press select button 1 and "DSP" will show on the display. Press select button 1 and the current setting will be displayed (On or Off). Press and hold select button 1 to toggle between "On" and "Off".

Press & hold select buttons 1 & 2 simultaneously to move to the next item on the menu.

Days

This function is used to set the days of the week to use Temperature Setting Routine.

Day of Week:

(SUN) Sunday	(WED) Wednesday	(SAT) Saturday	(RTN) Return (RTN)
(MON) Monday	(THUR) Thursday	(ALL) All Days	
(TUE) Tuesday	(FRI) Friday	(NONE) No Days	

Press select button 1 and "Monday #" will show on the display, where # is "0" (disable) or "1" (enable). Press and hold select button 1 to toggle between "0" and "1". Release the select button with the display showing the setting you wish to use. Press select buttons 1 & 2 simultaneously to scroll through all available days, "All Days"(ALL), "No Days"(NONE), and "Return"(RTN). Press select button 1 at the "Return" prompt returns to "Days".

Press & hold select buttons 1 & 2 simultaneously to move to the next item on the menu.

Start (STRT)

This function is used to set the hours and minutes for storage temperature to become active. Press select button 1 and the current four-digit hour and minute setting will be displayed (24 hour)

Press & hold select button 1: Set Hours

Press & hold select button 2: Set Minutes

Press select buttons 1 & 2 simultaneously to move to the next item on the menu.

Stop

This function is used to set the hours and minutes for storage temperature to become inactive. Press select button 1 and the current 4-digit hour and minute setting will be displayed (24hour).

Press & hold select button 1: Set Hours
Press & hold select button 2: Set Minutes

Press select buttons 1 & 2 simultaneously to move to the next item on the menu.

**(S-T) - Storage Temperature
(Default Temperature 60°F/ 16°C)**

This function is used to set the temperature for product storage. Press select button 1 and "tt.tx" will show on the display where x is F (Fahrenheit) or C (Celsius) and tt.t is the degrees.

Press and hold select button 1 to increase or decrease the number by 1 F or 0.5 C. Release select button with the display showing the temperature you wish to use and display will return to "S-T".

Press select buttons 1 and 2 simultaneously to scroll to "S-E"

S-E - Storage Enabled

This function is used to enable the storage setting to go in affect.

Press select button 1 and the current setting will be displayed (On or Off).

Press and hold select button to toggle between "On or Off".

Release the select button showing the setting you wish to use and display will return to "Storage Enabled"

Press select buttons 1 & 2 to scroll to "RTN"

RTN - Return

Press select button 1 at "Return" to return to "RFRG"

Press select buttons 1 & 2 simultaneously to scroll to next item on the menu.

FREE – FREE VEND

This function is used to set the Free Vend option. Press select button 1 and (ENAB) "ENABLE" will show on the display. To move to "OVER", press & hold select buttons 1 & 2 simultaneously.

Note: For free vend to become active a free vend switch must be connected to controller on free vend switch connector.

ENAB - Enable

This function is used to allow the free vend to go in affect.

Press select button 1 and the current setting will be displayed (On or Off).

Press and hold select button 1 to toggle between " On " or "Off ".

Release the select button showing the setting you wish to use and the display will return to "Enable".

Press select buttons 1 & 2 to scroll to "DSP"

DSP - Display

This function is used to show the current number of free vends performed by the controller.

Press select button 1 and "#" will show on the display where "#" is the number of free vends performed by the controller. Release the select button and display will return to "DSP"

Press select buttons 1 and 2 simultaneously to scroll to "RSET"

RSET - Reset

This function is used to reset number of free vends to zero.

Press and hold select button 1 for 5 seconds to reset the number of free vends performed by the controller to zero. Release the select button and the display will return to "RSET"

Press select buttons 1 & 2 to scroll to "RTN"

RTN – Return

Press select button 1 to return to “Free Vend”.

Press & hold select buttons 1 & 2 simultaneously to move to the next item on the menu.

OVER - OVERRIDE

This function is used to allow a key switch to override some of the settings stored for normal operations. When enabled and the free vend switch is in the closed position, the controller will override “Free”, disable vending, disable currency acceptance, display will show “No Sales”, and lights will be off. The compressor will continue to keep product at the programmed temperature. Vender will remain in this state until the override switch is in the open position.

Press select button 1 and the display will show the current setting for 2 seconds (ON or Off).

Press and hold select button 1 to toggle between “On”-enabled and “Off”- disabled.

Release the select button showing the setting you wish to use and display will return to “Override”.

To move to Sales Message, press & hold select buttons 1 & 2 simultaneously.

SSM – SALES MESSAGE

This function is used to turn on the scrolling message “Ice Cold Drink”.

Press select button 1 and the display will show the current setting (On or Off).

Press and hold select button 1 to toggle between “On” or “Off”.

Release the select button showing the setting you wish to use and display will return to “SSM”.

Press select buttons 1 & 2 simultaneously to scroll to “R-CH”.

R-CH – Recharge The installed Card Reader must support this option for this feature to work correctly.

This function is used to enable the recharge card setting routine.

Press select button 1 and the display will show the current setting (On- recharge card enabled or Off- recharge card disabled). Press and hold select button 1 to toggle between “On” and “Off”.

Release the select button showing the setting you wish to use and display will return to “R-C4”.

Press select buttons 1 & 2 simultaneously to scroll “RTN”

RTN - RETURN

Press select button 1 to return to “User”.

Press & hold select buttons 1 & 2 simultaneously to move to the next item on the menu.

DIAG - DIAGNOSTICS

This function allows you to systematically diagnose problems related to the vender. To move to “Auto” press select buttons 1 & 2 simultaneously, to enter sub-menu press select button 1. The following are sub-menus of Diagnostics Menu:

Vender with DC motors (SL) “Selection”, (HS) “Home Sensor”, (VSNS) “Vend Sensors”, (MT) “Motors”, (CM) “Coin mech”, (NA) “Note Acceptor”, (DSP) “Display”, (RLY) “Relay”, “Jog”, (PRM) “Prime”, and (RTN) “Return”.

SL - SELECTION

Press any select button, and the display will indicate the number of the select button pressed.

Press & hold select buttons 1 & 2 simultaneously to the next item on the menu.

HS – HOME SENSOR This prompt only appears on P-Series machines.

Use this to test the home sensor on the motor for any column. Press select button 1 to display “COL 1”. Press & hold select buttons 1 & 2 simultaneously to scroll through the columns and (RTN). Press button 1 when a column is displayed will cause the displayed column to test that the motor’s home sensor can be detected. Press select button 1 at “RTN” to return to “HS”.

Press & hold select buttons 1 & 2 simultaneously to move to the next item on the menu.

VSNS – VEND SENSOR This prompt only appears on P-Series machines.

Use this to test vend sensor in the machine. Press select button 1 to begin the test and “TEST CHUTE” will be displayed. Touch or place an object on the chute. When it is detected “Chute Pass” will be displayed. If nothing is detected on the chute, a “CHUT” message will be displayed.

Press & hold select buttons 1 & 2 simultaneously to move to the next item on the menu.

MT- MOTOR TEST

Use this test to run any motor in the stack. Press select button 1 and “MT 1” will show on the display. Use the following select buttons to run this test.

Press Select Buttons 1 & 2: Press until desired motor # to run or (RTN) is shown on the display.

Press Select Button 1: Press to run the selected motor. The display will show “Vending” and the selected motor will run. Note: When testing a P-Series machine, product **MUST** be seen by the vend sensor for the test to be successful.

CM – COIN MECH

Use this test to check coin mech, coin chute, and the coin mech payout systems. Inserting any coins enters the coin mech diagnostic function. Only tubed coins (i.e. that can be returned) will be accepted. The value of the coins will be reflected on the display. Press select button 2 will exit the test and return any coins inserted and return to “CM”.

Press select buttons 1 & 2 simultaneously to move to the next item on the menu.

NA – NOTE ACCEPTOR

Use this test to check the note acceptor. Inserting a bill enters the note acceptor diagnostic function. Bill will be held in escrow. Press select button 2 to stack the bill. Press select button 3 to return the bill. After the note is has been stacked or returned, the display will return to “NA”.

Press & hold select buttons 1 & 2 simultaneously to move to the next item on the menu.

DSP - DISPLAY

Press select button 1 and the display segments will illuminate in a scrolling manner, or will scroll through a set of text characters and return to “DSP”.

Press & hold select buttons 1 & 2 simultaneously to move to the next item on the menu.

RLY – Relays can only be tested if the environmental controls package is installed in the vender.**CMP# - Compressor**

This function allows you to test the relay electronic control of the compressor.

CAUTION: Disconnect power to the compressor before testing the compressor relay. Failure to disconnect power to the compressor before testing the relay could result in damage to the compressor.

Press select button 1 and the display will show "CMP #", where # is the state of the relay 0 = not activated or off; 1= activated or on. Press select button 1 to toggle the relay on and off. Press select buttons 1 & 2 simultaneously to move to "Fan".

Fan #

This function allows you to test the relay electronic control of the evaporator fan.

Press select button 1 and the display will show "Fan #" where # is state of the relay 0 = not activated or off; 1 = activated or on. Press select button 1 to toggle the relay on and off.

Press select buttons 1 & 2 simultaneously to scroll to "LT#".

LT# - Light #

This function allows you to test the relay electronic control of the lights.

Press select button 1 and the display will show "LT #", where # is the state of the relay 0 = not activated or off; 1 = activated or on. Press select button 1 to toggle the relay on and off. Press select buttons 1 & 2 simultaneously to scroll to "RTN".

RTN - Return

Press select button 1 to return to "RLY".

JOG- JOG MOTOR This prompt only appears on P-Series machines.

Press select button 1 the display will show CL 1. Press select buttons 1 & 2 simultaneously until the desired column is displayed. Selecting the desired column will then prompt for a direction either CW "clockwise" or CCW "counter clockwise". Pressing select 1 & 2 simultaneously will scroll between "CW", "CCW" and "RTN". Pressing select button 1 when "CW" or "CCW" is displayed will jog the motor in that direction. Press select buttons 1 & 2 to scroll to "RTN". Press select button 1 at the Return prompt to return to "JOG".

Press select buttons 1 & 2 to scroll to the next item.

PRM – PRIME COLUMN This prompt only appears on P-Series machines.

Pressing select button will display "CL 1". Pressing select buttons 1 & 2 simultaneously will scroll to the desired column. Pressing select button 1 when the desired column is displayed will cause that column to be primed. Press select buttons 1 & 2 simultaneously to scroll to "RTN". Press select button 1 at "RTN" will return to "PRM"

Pressing select buttons 1 & 2 simultaneously to scroll to the next item.

RTN - RETURN

Press select button 1 to return to "Diagnostics".

Press and hold select buttons 1 & 2 simultaneously to scroll to the next menu item.

AUTO – AUTO TEST

This function is used in Dixie-Narco's manufacturing process and is not intended for use in the field. Its purpose is a self-test routine to check the SBC components. For further details contact Dixie-Narco Factory Service.

Press and hold select buttons 1 & 2 simultaneously to scroll to "RTN".

RTN - RETURN

Press & hold select buttons 1 & 2 simultaneously to scroll to the next menu item.

Press select button 1 to return to Sales mode.

P-SERIES SBC QUICK REFERENCE MENU PROMPTS

Main Menu	Sub-Menu	Sub-Sub-Menu	Main Menu	Sub-Menu	Sub-Sub-Menu
(HD) Historical Data			User con't.	(LT) Lights	Days
(RD) Interval Data					(STRT) Start
(S-P) Set Price					Stop
(C-S) Cash Settings	(C-F) Coin Fill				(ENAB) Enable
	(C-D) Dump Coin				(RTN) Return
	(CR) Coin Rules			(RFRG) Refrigeration	(TEMP) Temperature
	(ESC) Escrow	(PR) Escrow to Price			(C-F) Celsius or Fahrenheit
		(EP2) Escrow No Cancel			(DSP) Display
		(ES4) Escrow to Select 4			Days
		(ES1) Escrow to Select 1			(STRT) Start
	(MV) Multi Vend				Stop
	(RTN) Return				(S-T) Storage Temperature
(USER) User Menu	(STS) Space To Sales				(S-E) Storage Enable
	(CL) Column	(PACK) Package			(RTN) Return
		(HA) Hold Angle		(FREE) Free Vend	(ENAB) Enable
		(DEEP) Depth			(DSP) Display
		(VA) Vend Angle			(RSET) Reset
		(RTN) Return			(RTN) Return
	Time	Year		(OVER) Override	
		(MTH) Month		(SSM) Sales Message	
		Day		(R-CH) Recharge	
		(HOUR) Hour/Minute		(RTN) Return	
		(DST) Daylight Savings Time	(DIAG) Diagnostics	(SL) Selection	
		(RTN) Return			
	(LANG) Language			(HS) Home Sensor	
	(ECNT) Electronic Counter				
	(LIM) Limited Access	(LAOS) Limited Access on Selects		(VSNS) Vend Sensor	
		Days		(MT) Motors	
		(STR1) Start Period 1		(CM) Coin Mech	
		(STP1) Stop Period 1		(NA) Note Acceptor	
		(STR2) Start Period 2		(DSP) Display	
		(STP2) Stop Period 2		(RLY) Relay	(CMP#) Compressor
		(RTN) Return			Fan#
	(SEC) Secondary Price	(S-P2) Set Price 2			(LT #) Light#
		Days			(RTN) Return
		(STRT) Start Secondary Pricing		(JOG) Jog Motor	(CL #) Column #
		(STOP) Stop Secondary Pricing			(RTN) Return
		(RTN) Return		(PRIME) Prime Column	(CL #) Column #
	(ECTL) – Environmental Controls				(RTN) Return
			(AUTO) Auto test	(RTN) Return	
			(RTN) Return		

A. Press and hold select buttons 1 & 2 simultaneously to move through the menu from top to bottom.

B. Press select button 1 to move left/right or enter/exit in the menu, depending on the menu prompt on the display.

The most important facets of proper vender care and maintenance are the electrical power supplied to it, leveling, and cleanliness of the machine and its components.

POWER

The vender must be connected to a dedicated 120VAC, 15 Amp circuit (U.S. and Canada).

CAUTION:

REMOVE POWER TO THE VENDER PRIOR TO CONNECTING / DISCONNECTING ANY ELECTRICAL COMPONENTS FOR TESTING OR REPLACEMENT.

CLEANING



DO NOT USE A WATER JET OR NOZZLE TO CLEAN THE VENDER

SIGN FACE

The polycarbonate sign face requires proper cleaning to prolong its service life. Periodically clean the sign as follows:

1. Rinse the sign with a soft cloth or sponge soaked in warm water.
2. If necessary, use a mild soap to loosen any dirt or grime. DO NOT SCRUB or use a brush or squeegee. Scrubbing may cause damage to signs with a clear ultraviolet resistant coating (prevents yellowing).
3. Repeat the above steps as necessary. To prevent spotting, dry the sign using a soft cloth.

CABINET

1. Wash the cabinet with a good detergent or soap mixed with warm water.
2. Wax the vender often with a good grade of automobile wax.
3. Any corrosion inside of the vender should be removed with a fine steel wool and the area should be painted with aluminum paint.
4. Repair any scratches on painted surfaces to prevent corrosion.

DRAIN PAN

1. Check the drain pan periodically for dirt, debris, and proper alignment. Clean as needed
2. Ensure nothing obstructs the drain tube and drain hose.



THE COMPRESSOR ELECTRICAL CIRCUIT IS ALWAYS LIVE WHEN THE PLUG IS CONNECTED TO AN ELECTRICAL OUTLET

REFRIGERATION CONDENSER

- Check the condenser periodically for dirt or lint build-up.
- Remove build-up with a brush or vacuum, or blow the dirt out of the condenser with compressed air and an approved safety nozzle.
- Ensure nothing obstructs the air intake at the bottom of the main door.
- Ensure nothing obstructs the air exhaust at the rear of the cabinet.

COIN ACCEPTOR

- Follow the coin acceptor manufacturer's cleaning instructions.

LUBRICATING THE VENDER

Time	Component	Lubricant Example
Every 6 months (or as needed)	Main Door	
	1. Lock Bolt & Nut Retainer 2. Hinge Pivot Points	Mechanics Friend Mechanics Friend
Every Year (or as needed)	Inner Door	
	1. Hinge Pivot Points Inner Door 1. Door Gasket	Mechanics Friend Petroleum Jelly

EPROM REPLACEMENT

Software changes / upgrades are accomplished by changing the EPROM on the Control Board.

SBC (Single Board Controller) Software Update Procedure

This document describes how to update software on the Single Board Controller (SBC). **Note:** All existing software revisions, except software version 804,920,870.01, will automatically update the software revision 804, 920,870.01 or higher upon installation. For SBC boards using 804, 920,870.01 software menu programming is required to manually update the software.

Important: EPROM's containing software is sensitive to Electrostatic Discharge (ESD). Failure to handle the EPROM carefully could cause damage, which may result in a failed Single Board Controller (SBC).

ALWAYS KEEP THE EPROM IN THE ESD TUBE. GROUND YOURSELF ON THE VENDER CABINET BEFORE REMOVING THE EPROM FROM THE ESD TUBE OR CONTROL BOARD. AN EPROM CAN BE USED TO PROGRAM MANY VENDERS, AS LONG AS CARE IS TAKEN NOT TO DAMMAGE THE EPROMS LEGS.

ALWAYS TURN POWER OFF BEFORE REMOVING OR INSTALLING EPROMS IN THE CONTROL BOARD.

Note: Use the SBC programming manual to program a vender that has a Single Board Controller (SBC) installed.

I. EPROM removal

- Power down the Vender. **Ground yourself on the vender cabinet before removing the EPROM from the ESD tube or control board.**
- If the EPROM is present in the SBC, remove the existing EPROM from the SBC.
 - **Note:** An EPROM does not need to be in the board after the SBC has been programmed. The EPROM can be used to reprogram other boards.
- Verify the pins of the new EPROM are not bent before installing in the EPROM socket.
- Install the new EPROM in the EPROM socket. Ensure the EPROM is oriented correctly with its reference marker (locator) in the same direction as the reference marker (locator) of the EPROM socket. Do not rely on the EPROM label for orientating the EPROM. See Figure 1.

II. Automatic Reprogramming (all 804, 920,870.01 software revisions)

- Turn power on to Vender. When auto-updating, the display will remain blank while the red LED on the board blinks rapidly for 3-4 seconds. Verify the new software version is shown on the display. If the new software version (the software version of the newly installed EPROM) displays, the SBC software has been successfully updated. If not, verify the EPROM is seated properly, with the reference marker oriented correctly and follow instructions for manual update if updating from 804, 920,870.01. If problems still exist, contact the Dixie-Narco Technical Service Department.

Note: To remove the EPROM after programming is complete turn power off, **ground yourself on the vender cabinet before removing the EPROM**, remove the EPROM, turn power on, test vender for proper operation.

III. Manual Reprogramming (all 804, 920,870.01 or if an EPROM does not automatically reprogram the SBC)

- At power up, the current software version will be displayed. To manually program the control board with the new software, press the blue service switch on the SBC to enter the service menu. Advance to the "Auto Test" menu by holding buttons 1& 2 simultaneously. Enter Auto Test by pressing button 1, and advance to the "Reprogramming Microprocessor" submenu by holding buttons 1& 2 simultaneously.
- At the "Reprogramming Microprocessor" prompt, press button 1. "THIS OPERATION REPROGRAMS VENDOR" shows on the display. Press button 1 at this prompt. Next display will show "BUTTON 2 = REPROGRAM, BUTTON 3 = EXIT".
- Press button 2 to reprogram vender with the new software. "Reprogramming Vendor..." displays while the red LED on the board blinks rapidly for 3-4 seconds. Verify the new software version, and previous settings return to the display. If the new software version (the software version of

the newly installed EPROM) shows on the display, the SBC software has been successfully updated.

Note: To remove the EPROM after programming is complete, remove power to the vender, **ground yourself on the vender cabinet before removing the EPROM**, remove the EPROM, while still grounded install a label on the microprocessor showing the revision of software that is installed in the SBC, power the vender back on and test for proper operation.

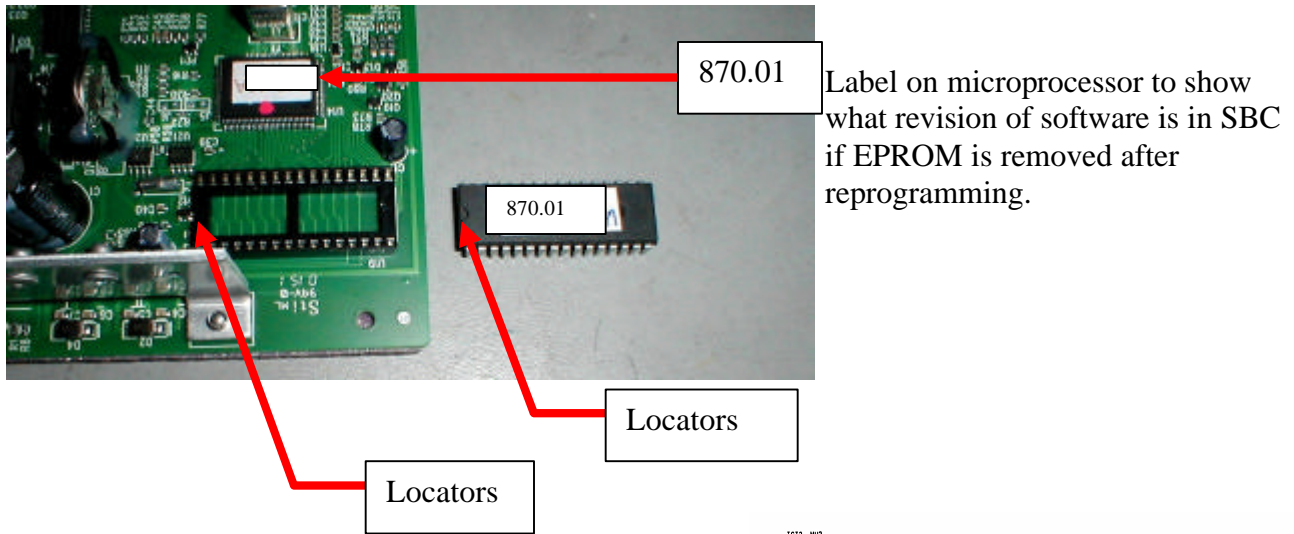
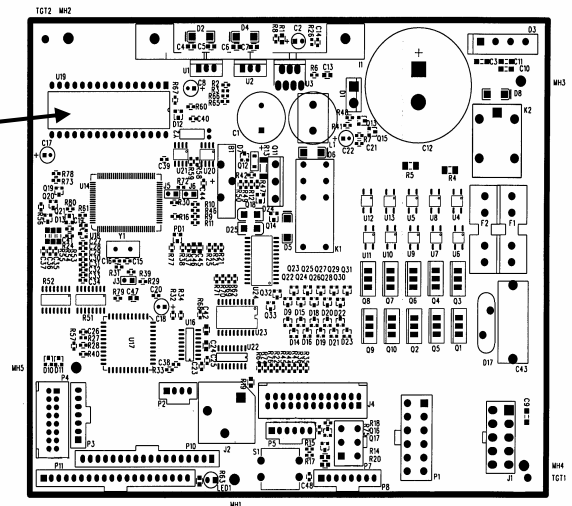


Figure 1

Figure 1 – EPROM REPLACEMENT (SAMPLE BOARD SHOWN)



ELECTRICAL

Transformer Provides 24 volt and 12 volt power to the Machine Controller

Fuse (F1) 1.6 Amp Slo Blo Control Board Power (includes display and MDB Peripherals)

Fuse (F2) 6 Amp Slo Blo Motor Power Fuse

Relay Potter & Brumfield T91P5D52-24 240 VAC / 20 A-NO / 10A-NC

Choke Foster A-16015 5MH 6A

REFRIGERATION

110 VAC

Compressor Embraco, 1/3 HP, 115 VAC, 60 Hz
1 Phase
Unit uses 9.0 oz. of 134A Refrigerant

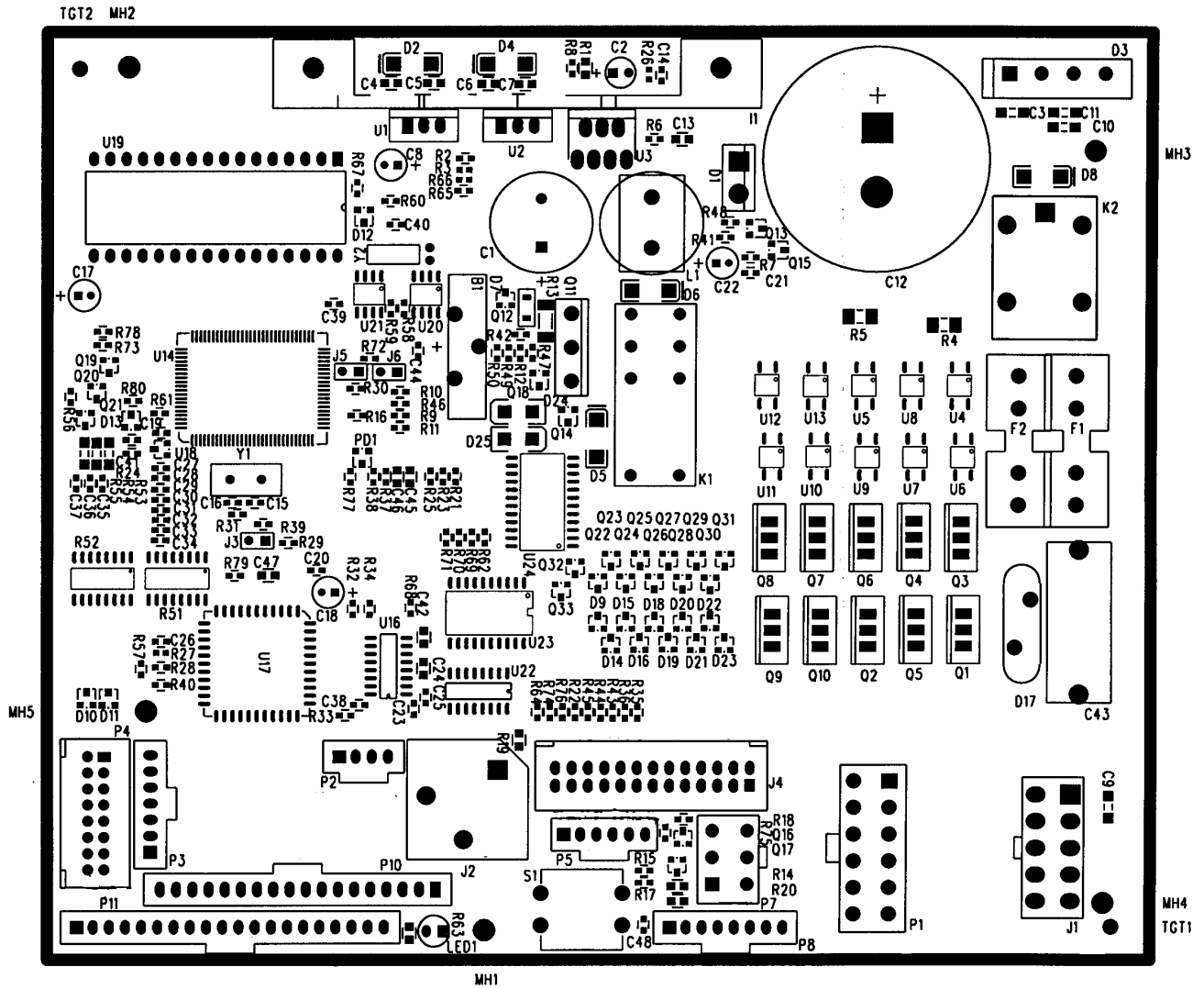
Start Relay 115 VAC, 1.351.605

Start Capacitor 115 VAC
233-280 MFO / 165V

Thermal Overload 115 VAC
MRT 22AF2-5598

Condenser Fan 16W Motor
115 VAC
5KSM81FFL 3022T
Blade – 8-3/4" dia.

Evaporator Fan 6.5W Motor
115 VAC
OSM 2045X1
Blade – 6" dia.



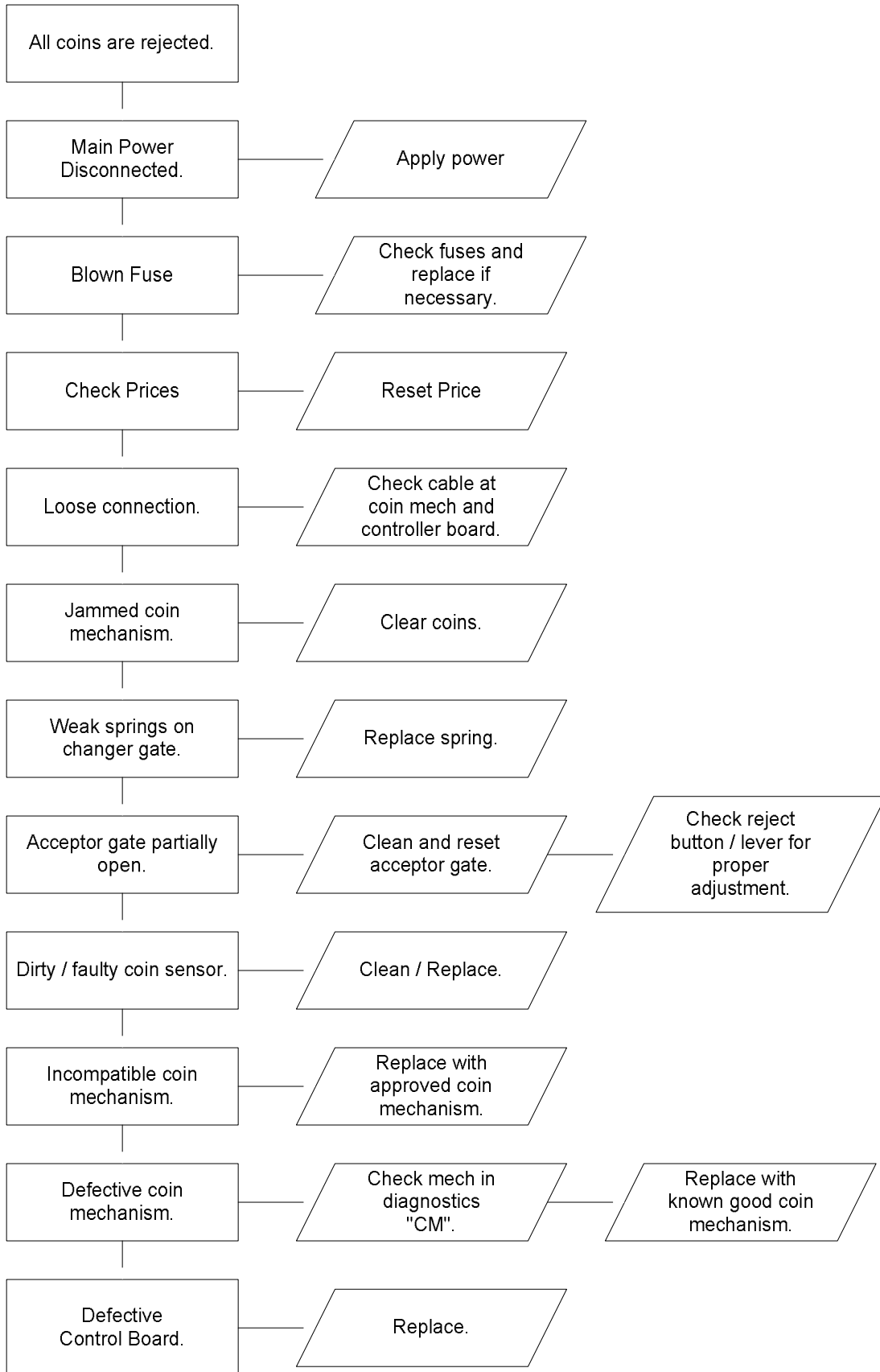
SBC CONTROL BOARD

- P1 Motor
- P2 Secondary DEX
- P3 Display
- P4 Select Switches
- P5 Temp Sensor
- P7 MDB
- P8 Energy Management
- P10 Sold Out LED's
- P11 Ready to Vend
- J1 AC Power
- J2 DEX
- J4 Cam / Sold Out
- B1 Battery

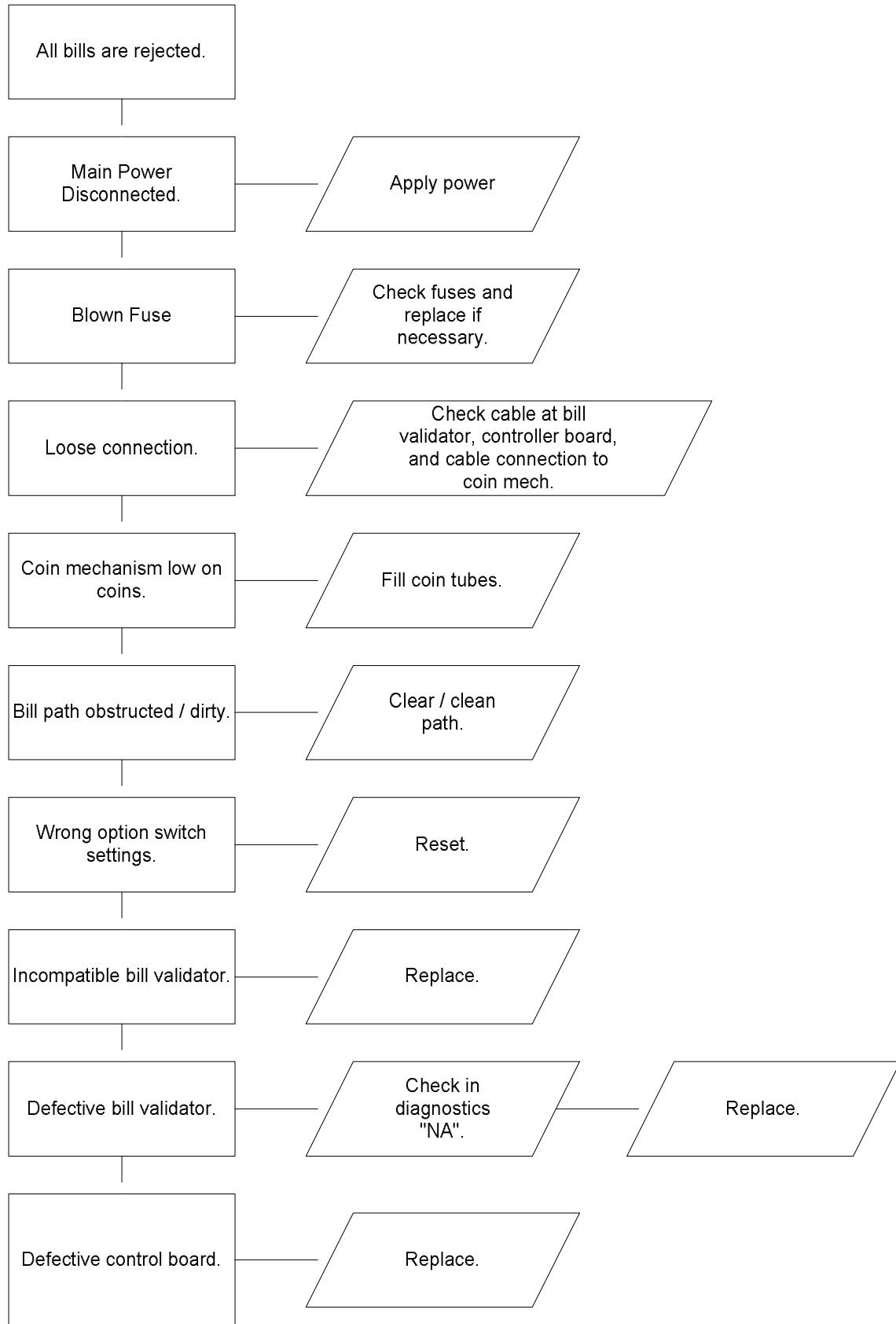
TROUBLESHOOTING FLOWCHARTS

These charts are intended to isolate and correct most problems you might encounter.

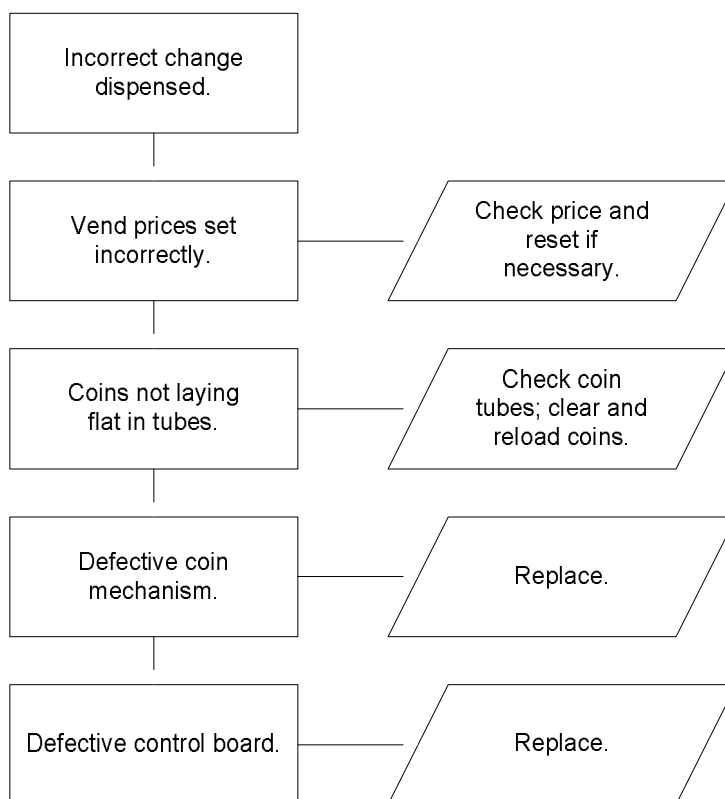
ALL COINS ARE REJECTED



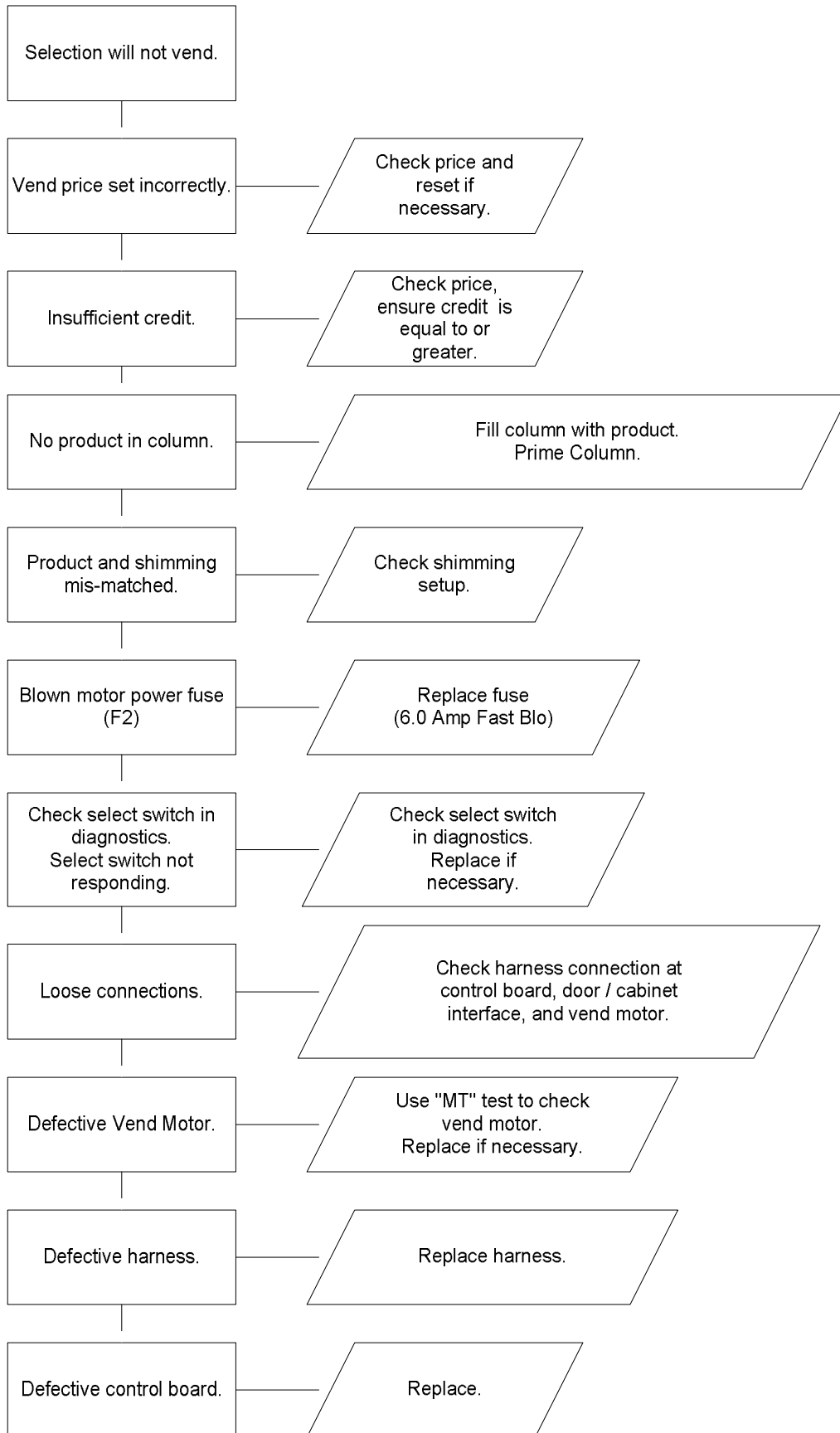
ALL BILLS ARE REJECTED



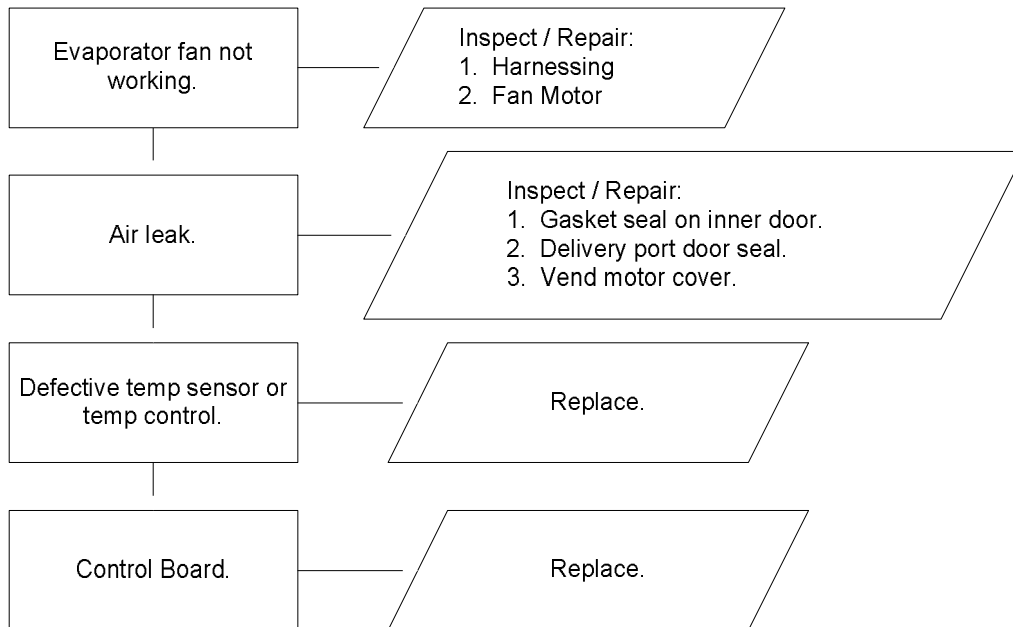
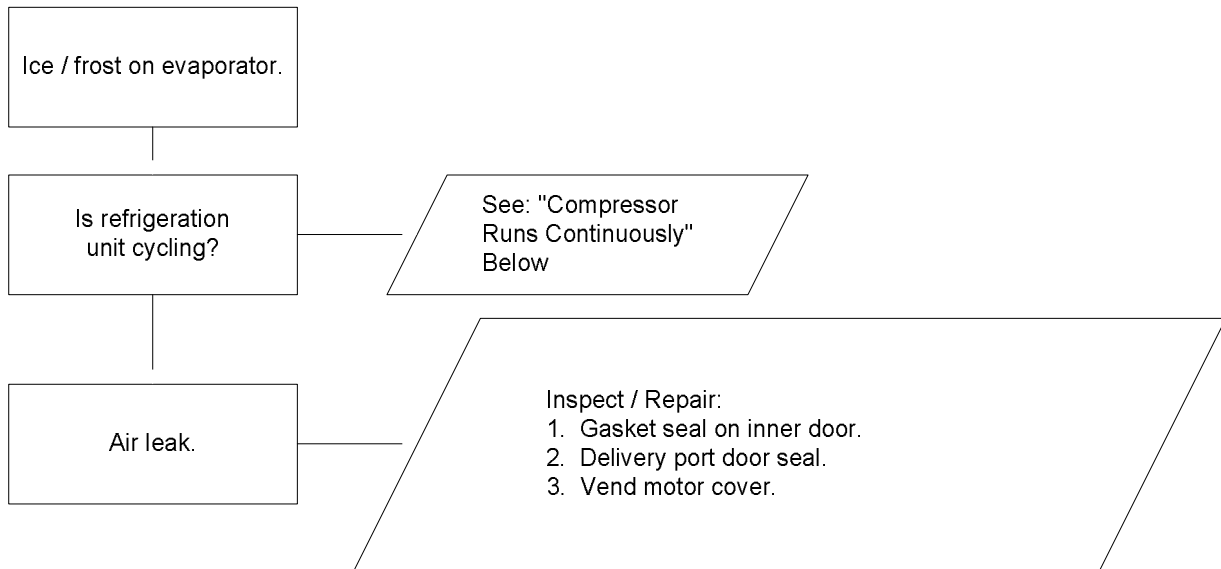
INCORRECT CHANGE DISPENSED



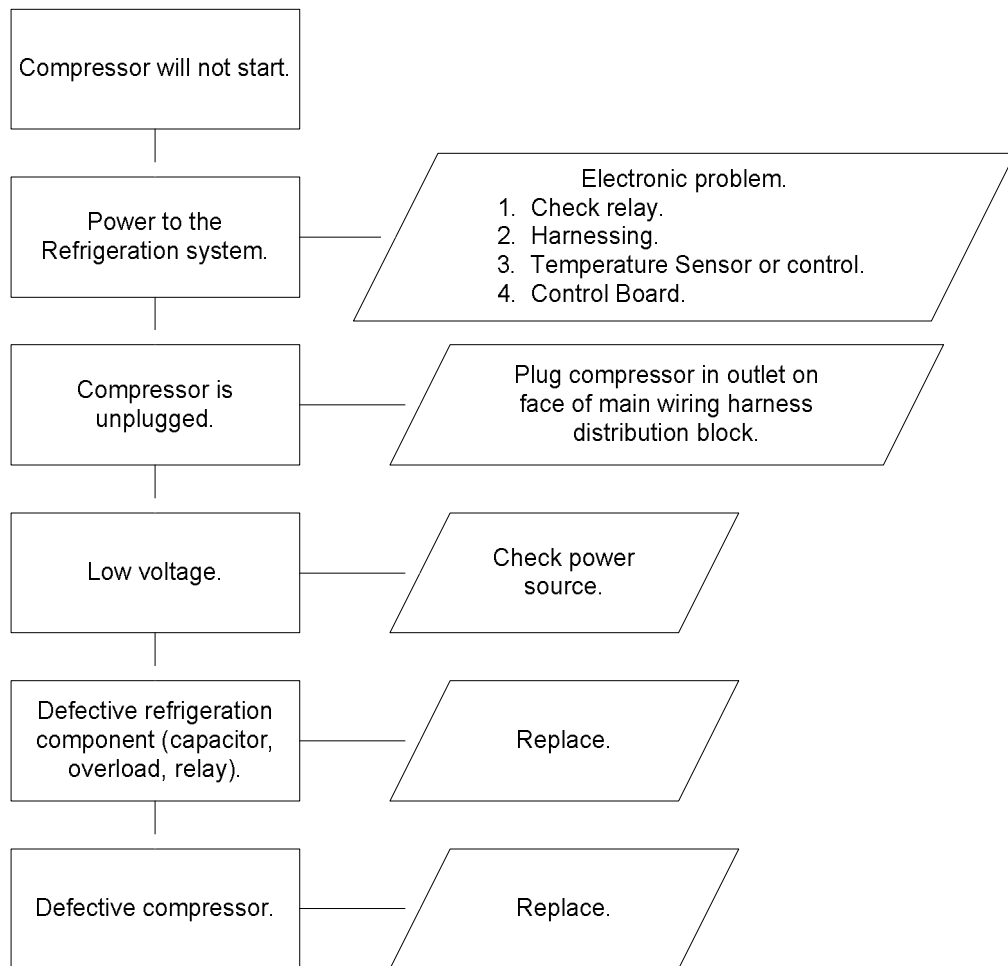
SELECTION WILL NOT VEND



ICE / FROST ON EVAPORATOR

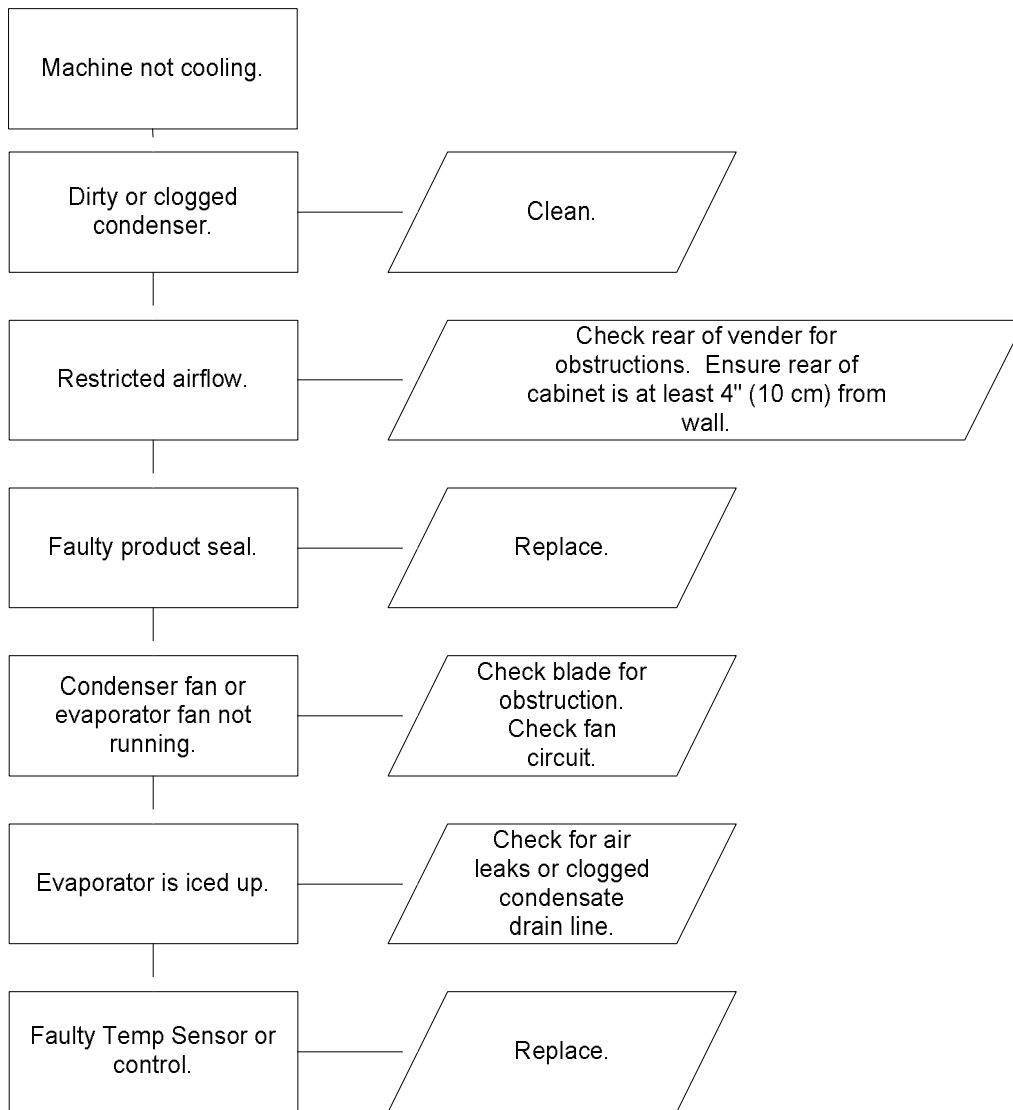


COMPRESSOR WILL NOT START



Troubleshooting Tip: Use a short 15 Amp extension cord and plug the compressor directly into the wall outlet. This will bypass the Electronic Controls.
Note: For Testing Purposes Only.

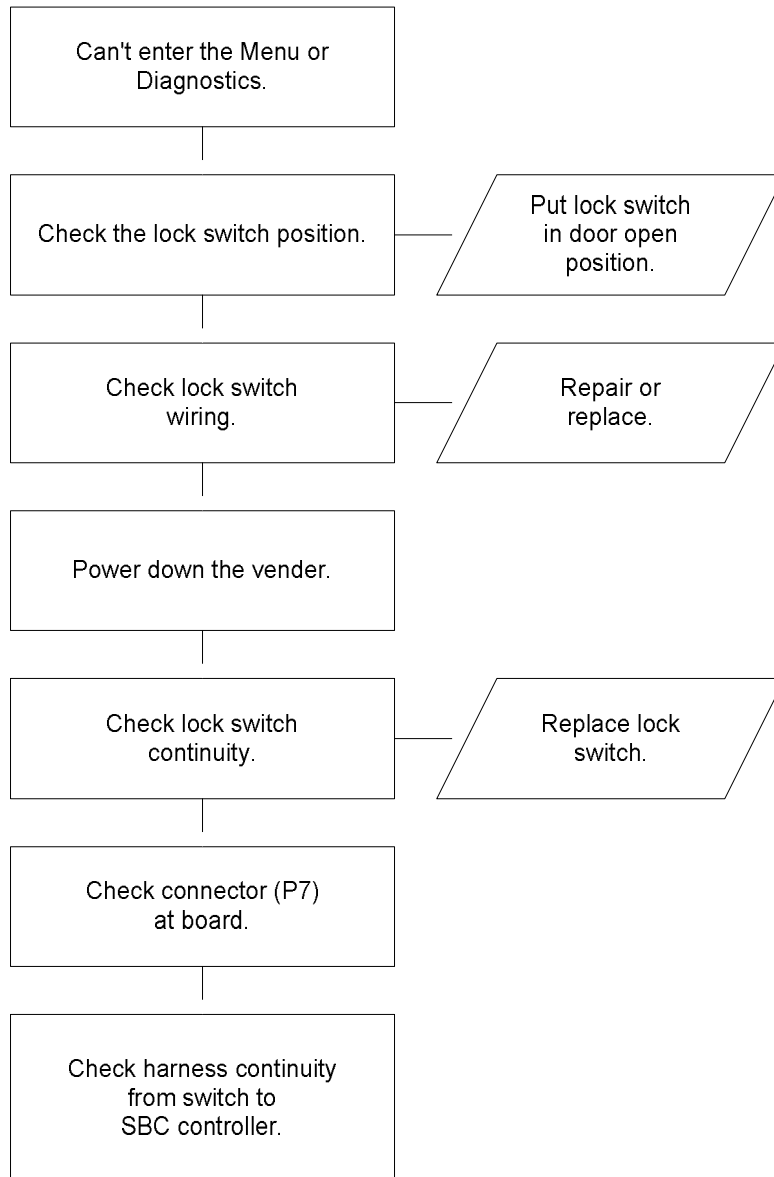
MACHINE NOT COOLING



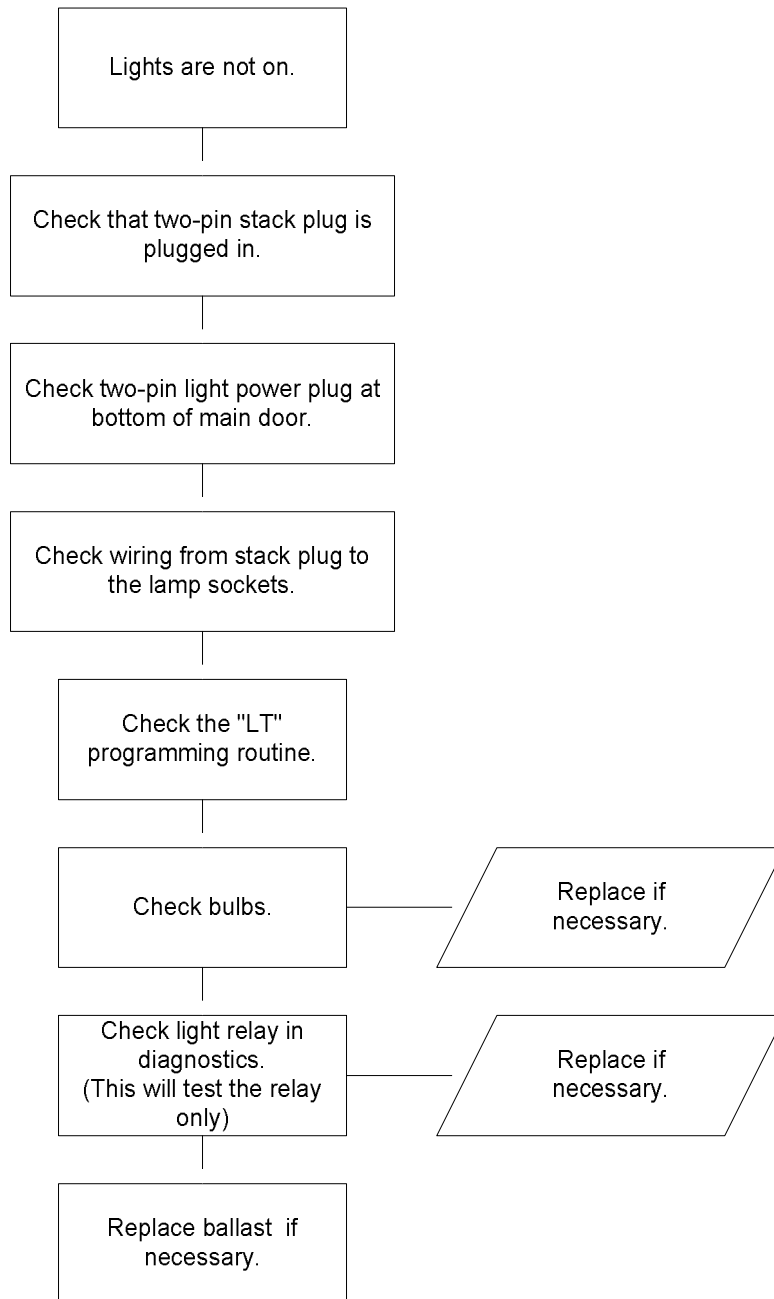
CAN'T ENTER THE MENU OR DIAGNOSTICS



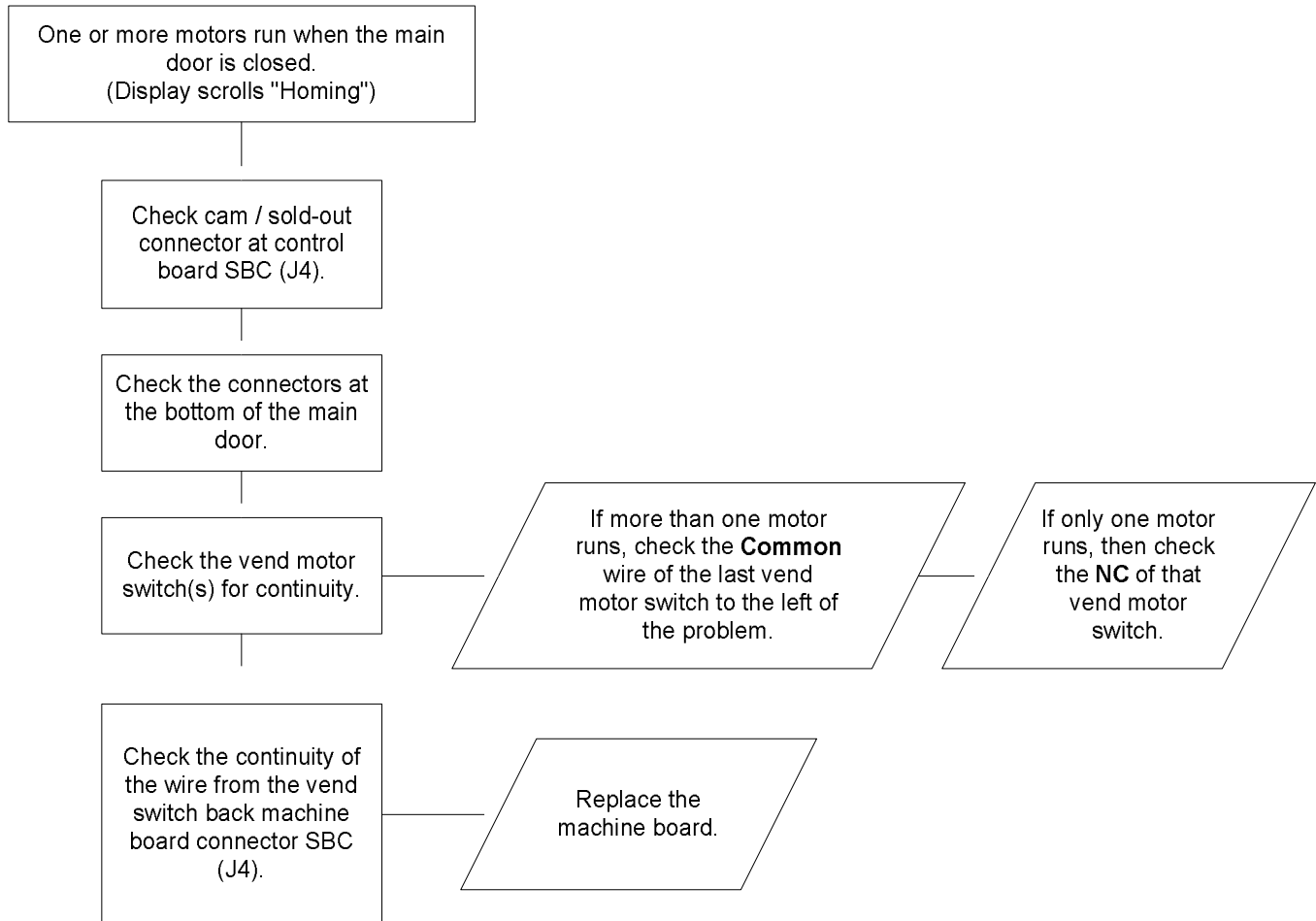
Note: Prior to checking wires or connections, ensure power has been removed from vender.



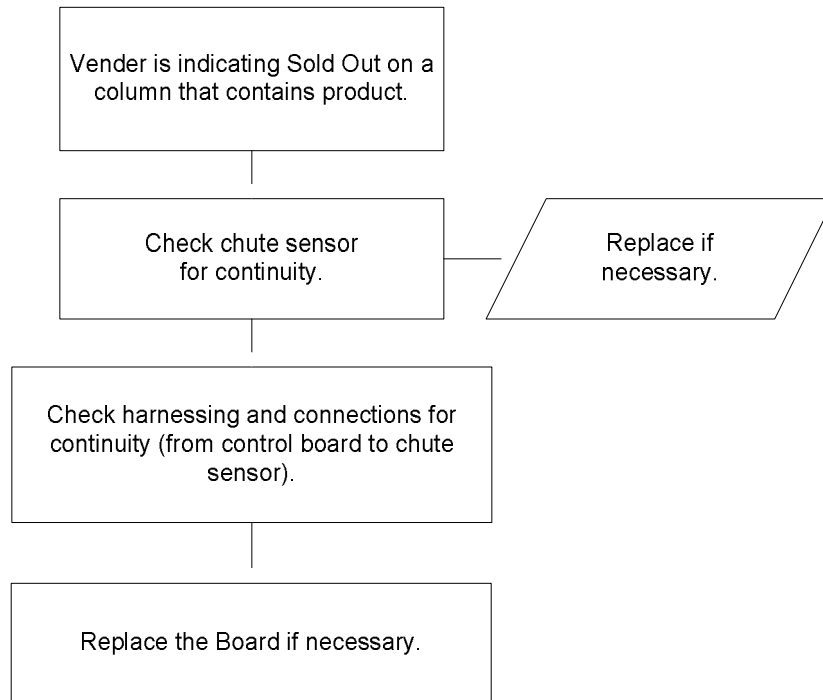
LIGHTS ARE NOT ON



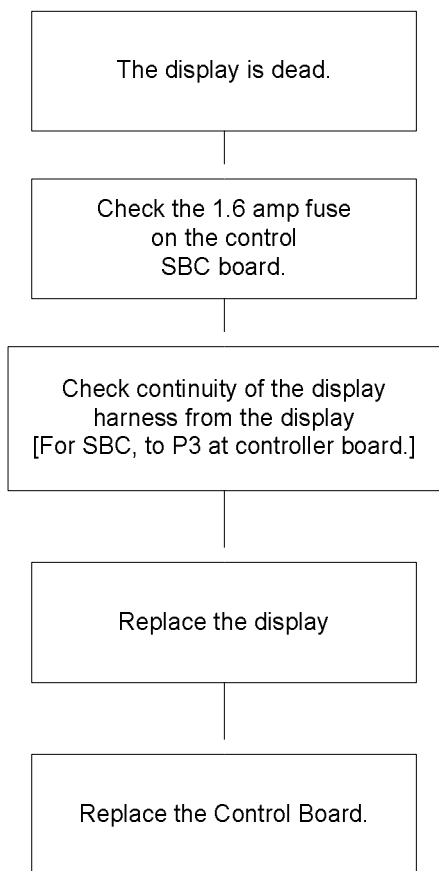
ONE OR MORE MOTORS RUN WHEN MAIN DOOR IS CLOSED
(Display Scrolls "Homing")



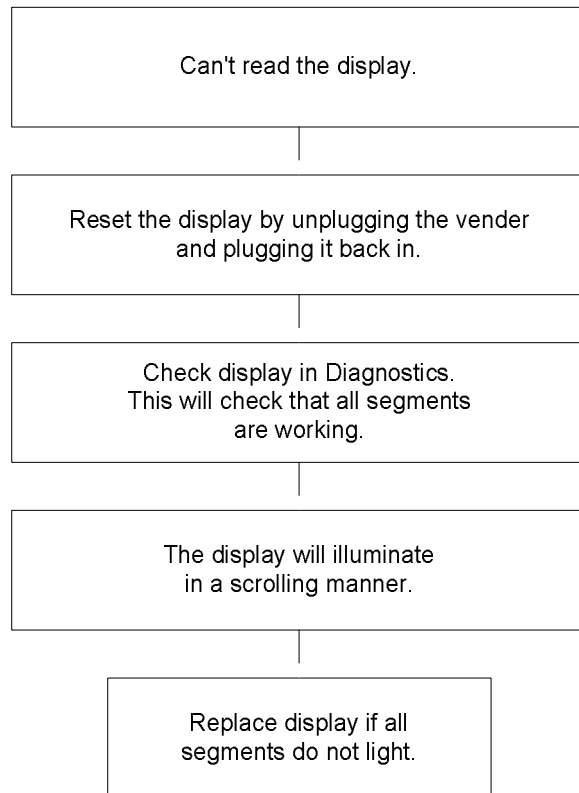
SOLD OUT

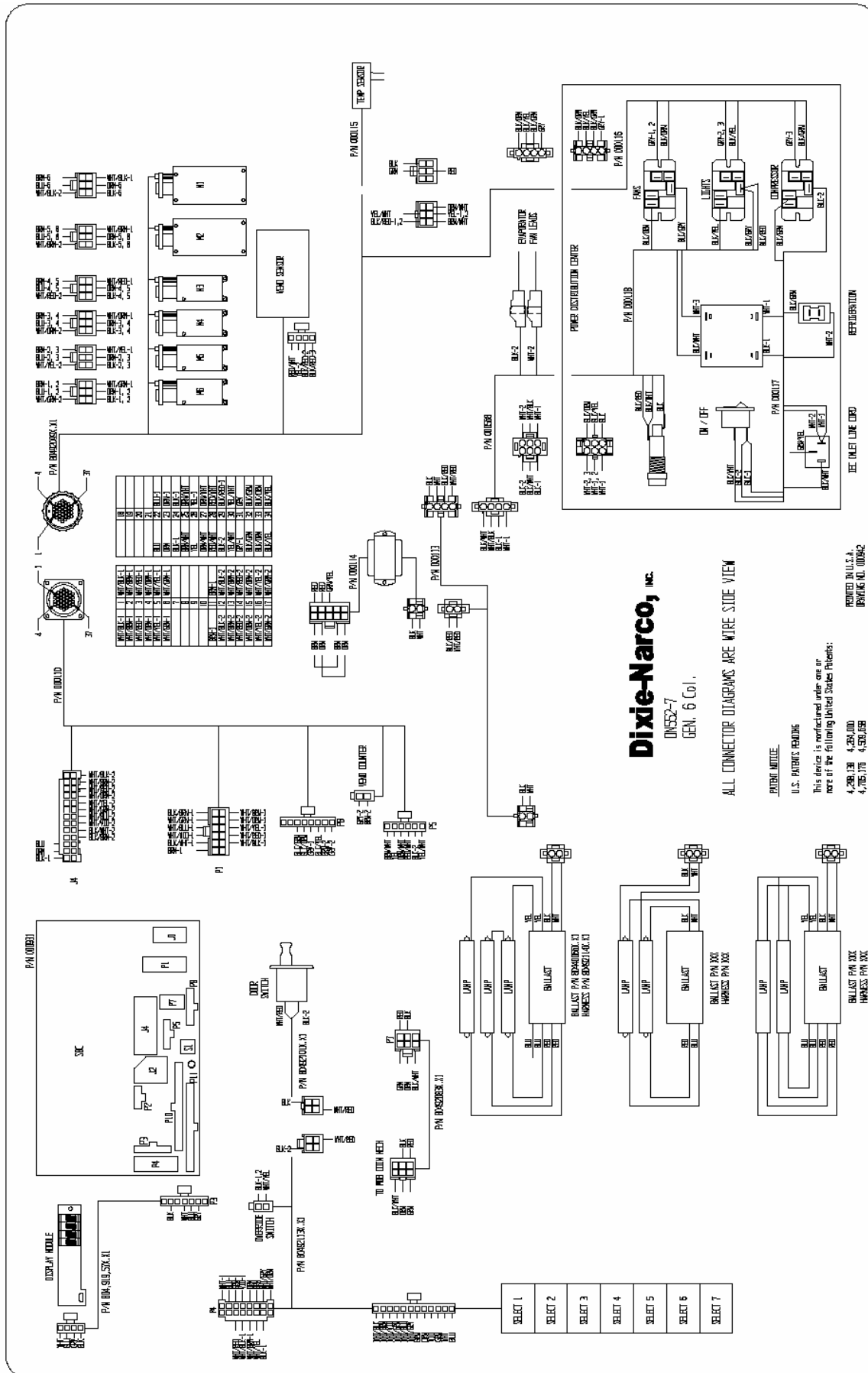


THE DISPLAY IS DEAD



CAN'T READ THE DISPLAY



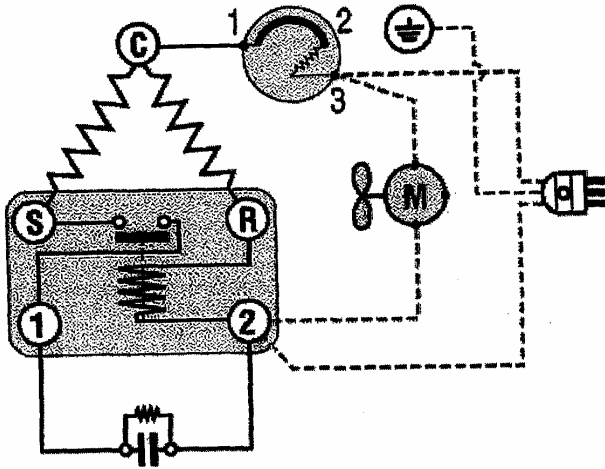


Dixie-Narco, Inc.
 DMS52-7
 GEN. 6 Co. 1.

ALL CONNECTOR DIAGRAMS ARE WIRE SIDE VIEW

PRINTED IN U.S.A.
 DIXIE-NARCO, INC.
 U.S. PATENT PENDING
 This device is manufactured under one or more of the following United States Patents:
 4,288,138 4,284,100
 4,785,178 4,524,158

Refrigeration Circuit Diagrams

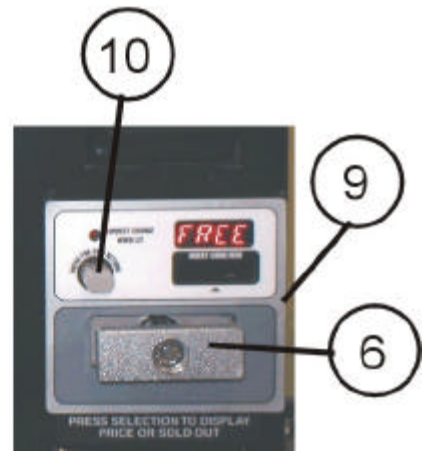
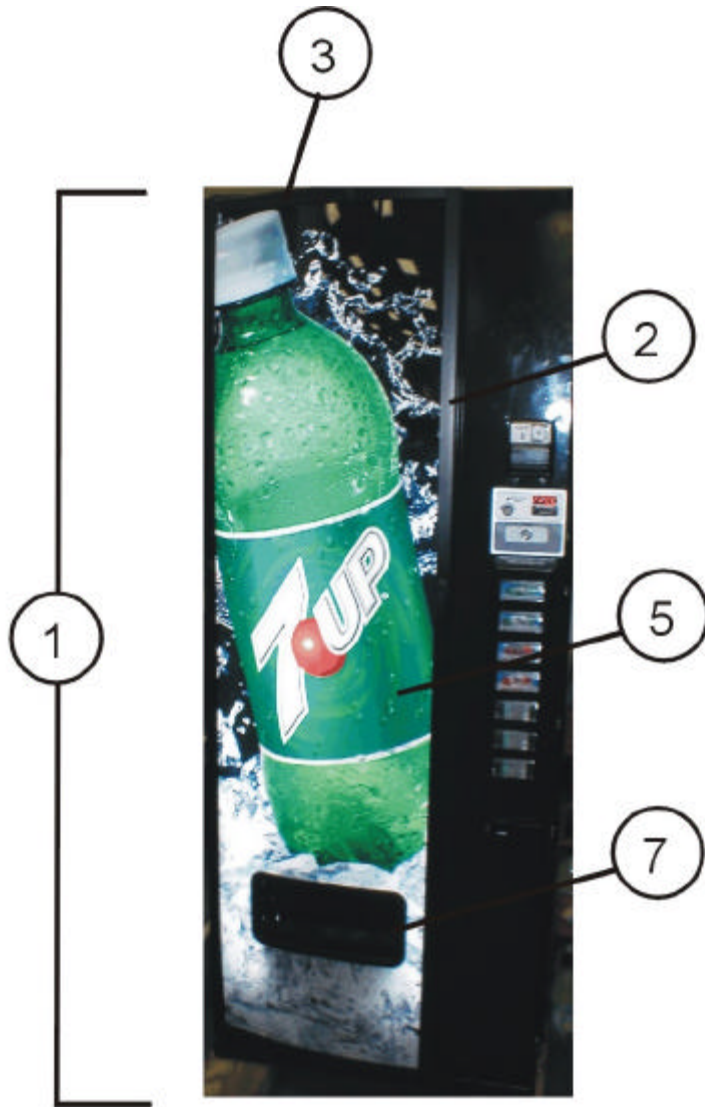


Symbol	Description
	Current Start Relay with Capacitor Connections
	Start Capacitor
	Overload Protector
	Fan
	Single Phase Motor
	Earth Connection
	Single Phase Supply
	Common
	Run
	Start
	Factory Made Connections
	Connections to be made

MAIN DOOR EXTERIOR



MAIN DOOR EXTERIOR

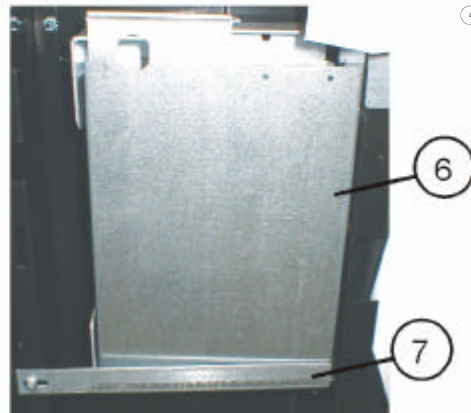
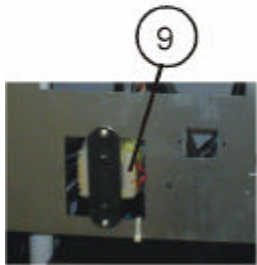
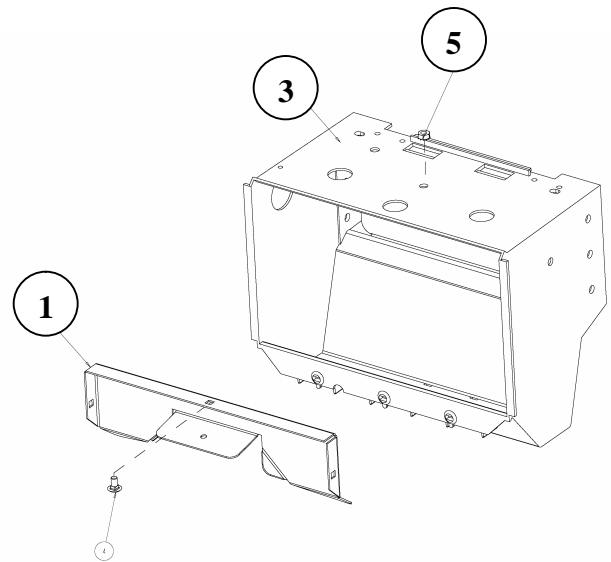


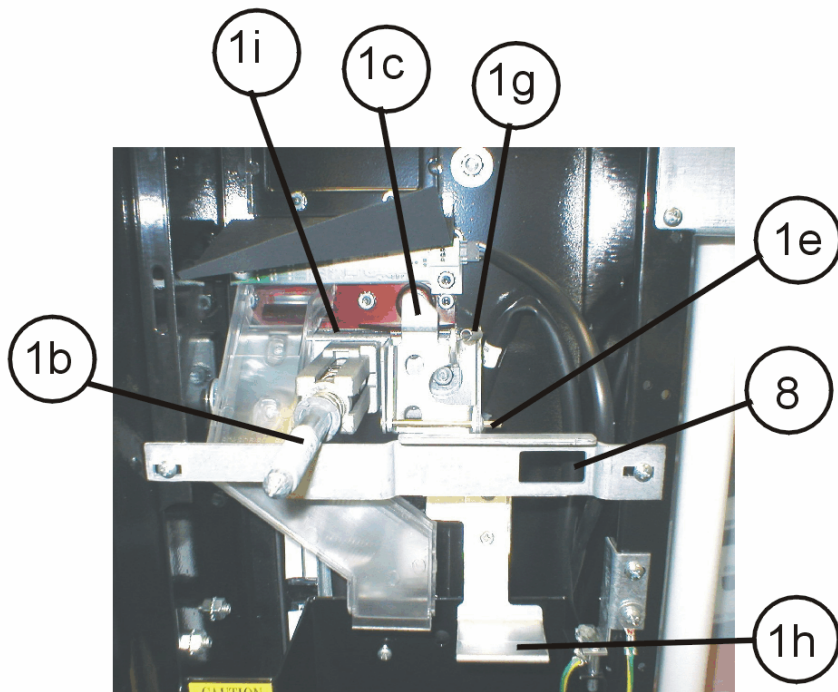
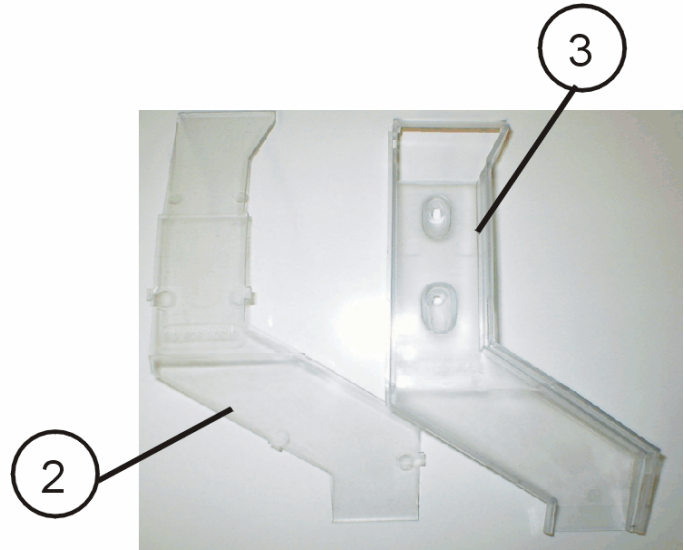
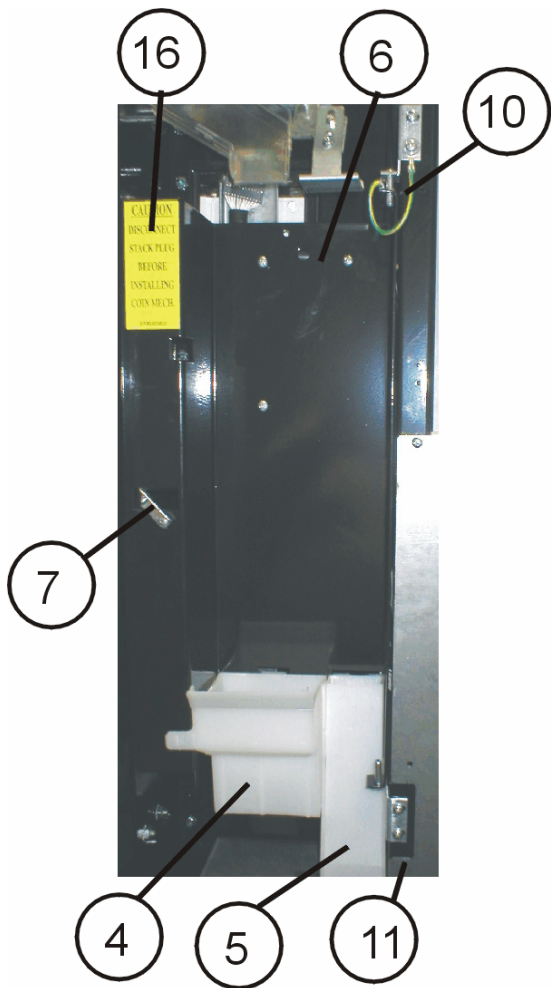
MAIN DOOR EXTERIOR

ITEM	PART DESCRIPTION	DN552P
1	Main Door Assembly P-Series 7 Up Generic Round	640,051,00x.x3
1a	Door Weld Assembly	000213
2	Trim, Side 69 1/8"	801,809,67x.x1
3	Trim, Top/Bottom 37.62"	000203
4	Plate, Filler Bill Validator	360,050,72x.x3
5	Sign, 7 Up Splash	805,034,04x.x1
6	T handle Assembly	801,508,20x.x1
7	Port Trim (Trimspacer)	801,810,11x.x1
8	Gasket, Port Press On (Not Shown)	801,810,46x.x1
9	Assembly, Coin Insert	461,150,80x.x3
10	Push Button Coin Return	801,807,25x.x1
11	Latch, Tab Lock Large Port (Not Shown)	801,304,91x.x1
12	Vandal Panel (Specify Color)	165,150,33x.x3
13	Label, Coin Insert, Generic (Not Shown)	803,837,66x.x1
14	Label, Money Removed Daily (Not Shown)	903,805,70x.x1
15	Label, Warning Do Not Tilt (Not Shown)	803,868,29x.x1

MAIN DOOR INTERIOR (A)

ITEM	PART DESCRIPTION	DN552P
1	Closure Strip	609,050,14x.x3
2	Rain Guard	169,050,34x.x3
3	Wide Delivery Port	801,813,39x.x1
4	Carriage Bolt 1/4 -20x 3/8	900,201,54x.x1
5	Hex nut 1/4 - 20	900,800,67x.x1
6	Cash Box	432,051,80x.x3
7	Shelf, Cash Box	432,050,18x.x3
8	L Profile Gasket 35"	803,601,12x.x01
9	Transformer, P-Series	000114



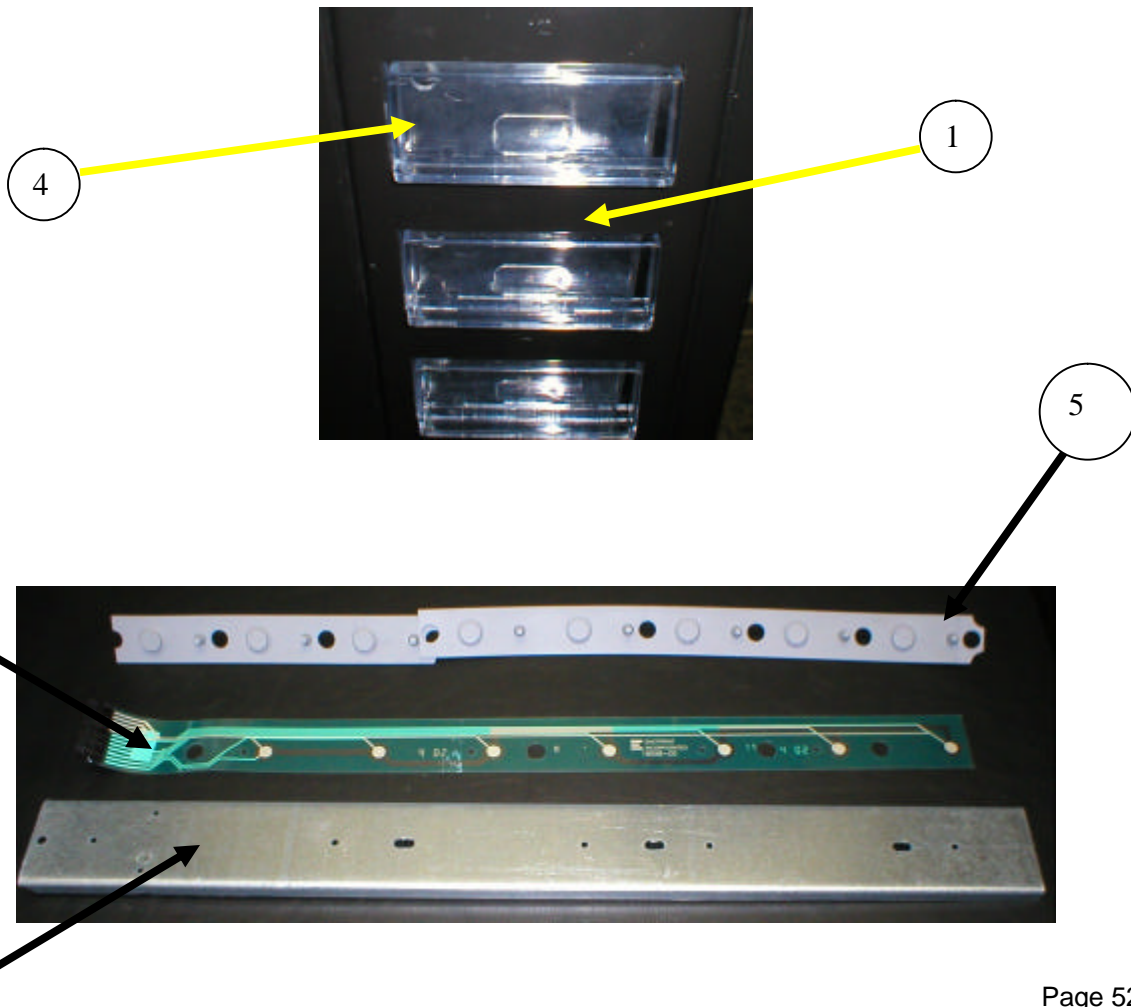


MAIN DOOR INTERIOR (B)

ITEM	DESCRIPTION	DN552P
1	Sub assembly Coin Insert (Includes T Handle)	572,060,60x.x3
1a	Coin Return Bracket	572,050,24x.x3
1b	T Handle Assembly Flush Mount	801,508,20x.x1
1c	Button, Push Coin Return	801,807,25x.x1
1d	Coin Return Rocker	572,050,22x.x3
1e	Roller Pin	900,502,19x.x1
1f	Roller Pin Retainer	900,900,90x.x1
1g	Coin Return Spring	901,700,63x.x1
1h	Plunger, Coin Return	572,050,23x.x3
1i	Retainer, High Security	572,000,01x.x3
2	Coin Insert Chute Cover Clear	801,805,80x.x1
3	Coin Insert Chute Clear	801,805,79x.x1
4	Hopper & Chute Assembly Non-HG	801,806,58x.x1
5	Coin Chute Front Non-HG	801,806,59x.x1
6	Assembly Access Door	491,052,00x.x3
7	Latch Access Door	801,304,53x.x1
8	Door Switch	804,100,77x.x1
9	Carriage Bolt, ¼ 20 x 3/4	900,201,56x.x1
10	Hinge, Top Access Door	432,051,00x.x3
11	Hinge, Bottom Access Door	432,051,10x.x3
12	Hex nut ¼ 20	900,800,67x.x1
13	Screw, 8-18x1/2 SD Phil Pan	900,301,50x.x1
14	Screw, 8-32x1/4 Phil Pan	900,301,97x.x1
15	Hex Nut 8-32	900,800,50x.x1
16	Label, Precaution Access Door	803,833,04x.x1

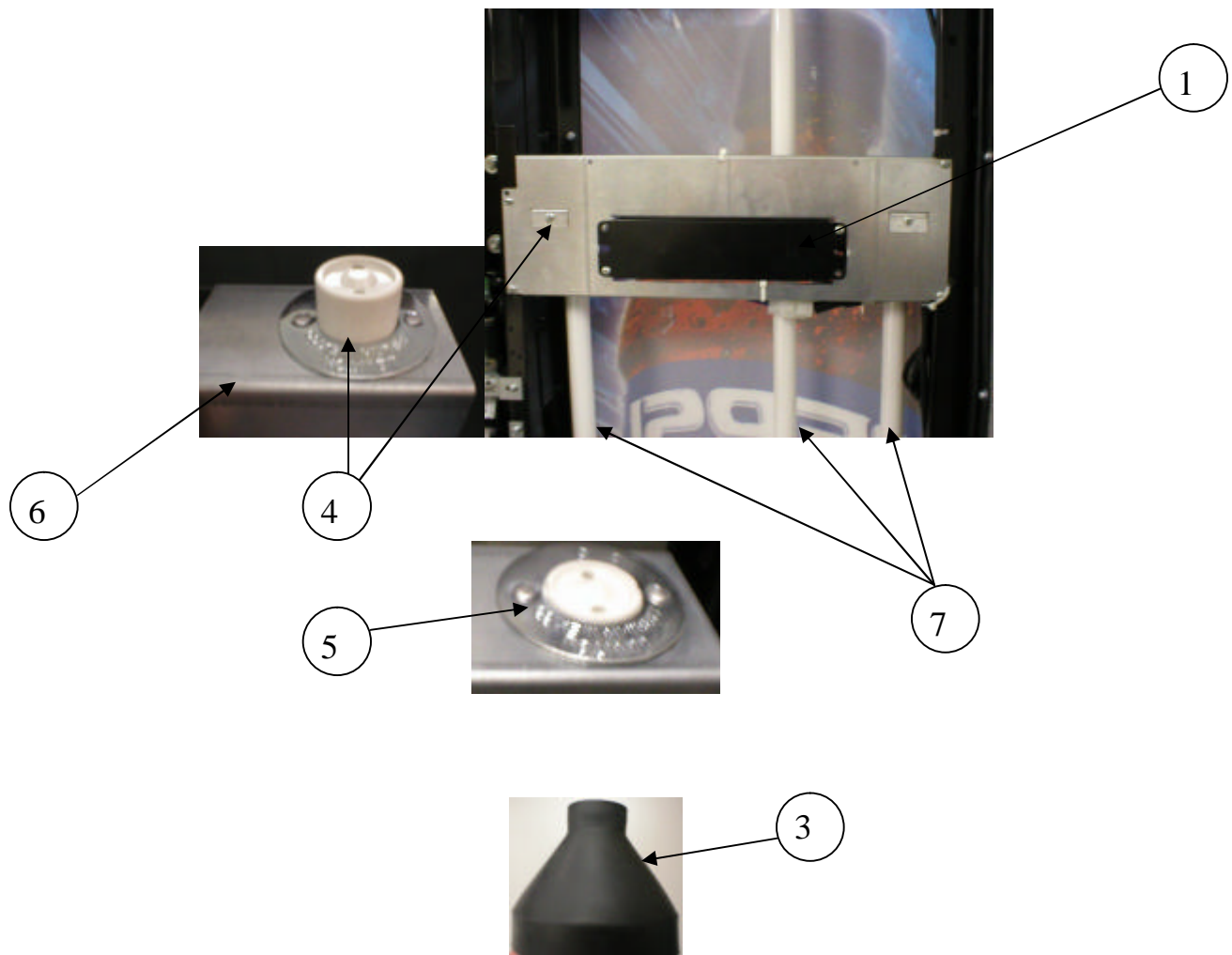
SELECT PANEL

ITEM	PART DESCRIPTION	DN552P
1	Select Panel Assembly, 7 Select	594,054,30x.x3
1a	Weld assembly Select Panel Not Shown	594,055,00x.x3
2	Switch, Membrane 7 select	804,913,01x.x1
3	Assembly, Chassis & Stud	594,054,70x.x3
4	Select Button (Membrane)	801,809,24x.x1
5	Keypad, 5 Position	801,809,26x.x1
6	Harness, Membrane "From Board to Membrane"	804,921,13x.x1
7	Standoff, .187 x .312 x .625	901,001,44x.x1
8	Hex Nut # 8 -32	900,800,50x.x1



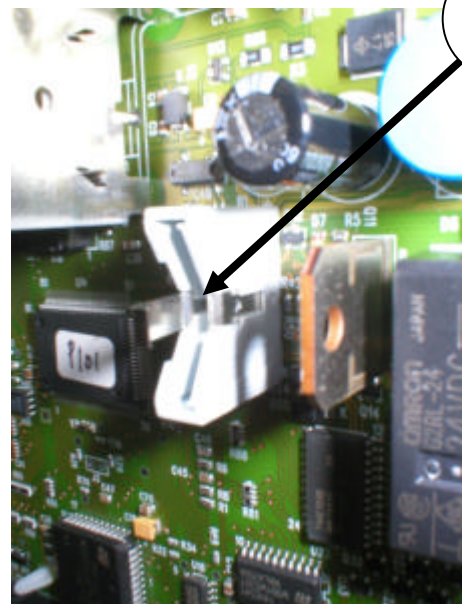
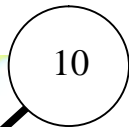
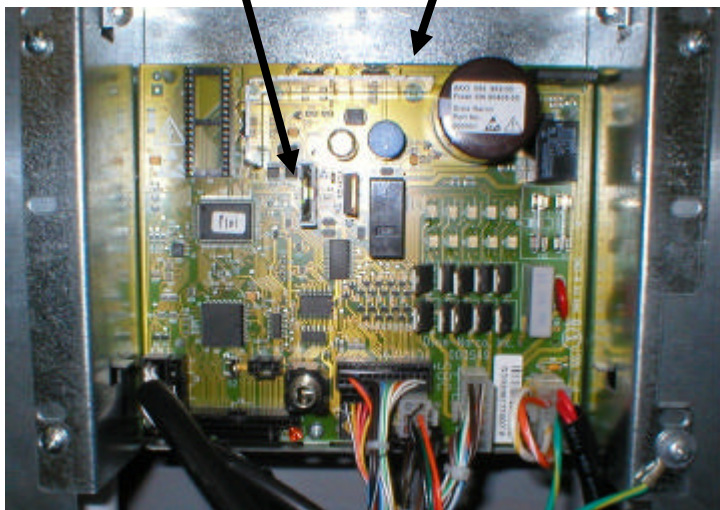
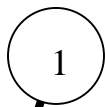
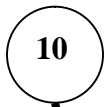
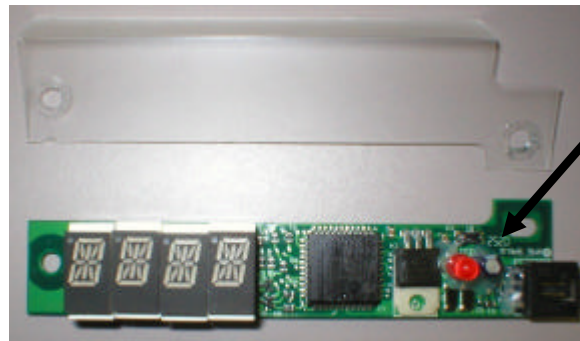
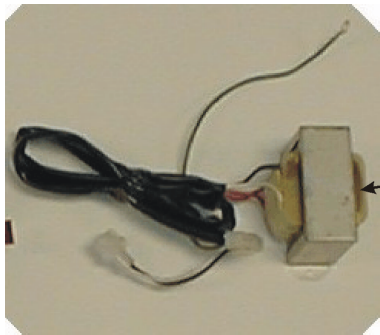
T8 LIGHTING

ITEM	PART DESCRIPTION	DN552P
1	Ballast T8	804,400,61x.x1
2	T8 Lighting Harness (Not Shown)	804,918,34x.x1
3	Fluorescent Lamp Boot	802,001,44x.x1
4	Top Lampholder T8 Leviton 518	804,918,58x.x1
5	Bottom Lampholder T8 Leviton 519	804,918,59x.x1
6	Lamp Socket (6)	562,050,04x.x3
7	T8 Lamp, 4' (3)	804,700,76x.x1

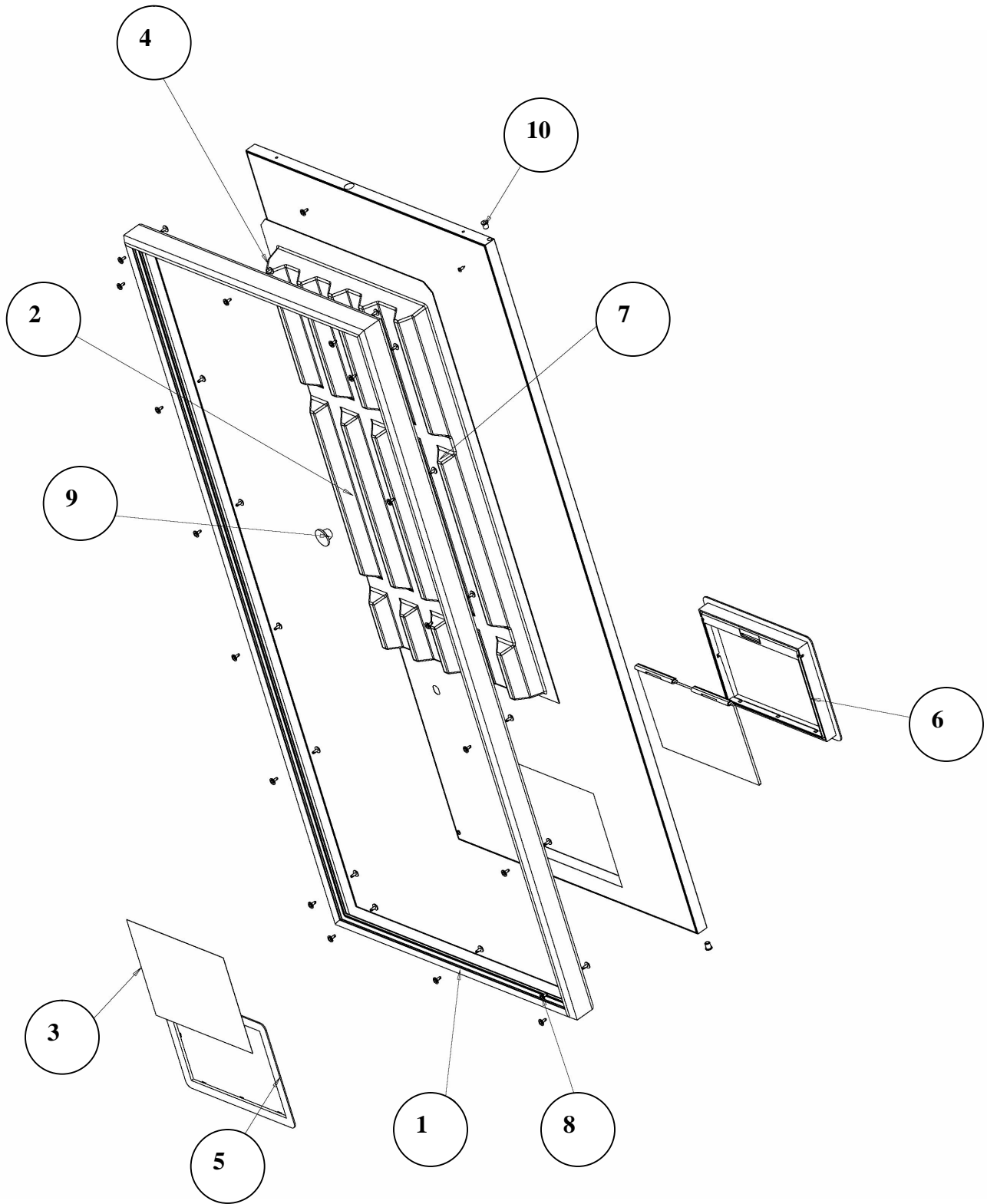


ELECTRONIC COMPONENTS

ITEM	PART DESCRIPTION	DN552P
1	Control Board Assembly SBC	640,010,10x.x3
2	Display Board 14 Segment	804,910,96x.x1
3	Transformer	000114
4	Fuse 1.6 Amp (F1)	804,800,71x.x1
5	Fuse, 6 Amp Fast Acting (F2)	804,910,93x.x1
6	Controller Cover - Not Shown	801,306,16x.x1
7	Label, Fuse - Not Shown	803,857,06x.x1
8	SBC Eprom Control Board	804,920,87x.x1
9	Rain Curtain, Control Board - Not Shown	801,904,23x.x1
10	Battery, 3V Lithium (CR2032) - Not Shown	804,920,45x.x1



INNER DOOR

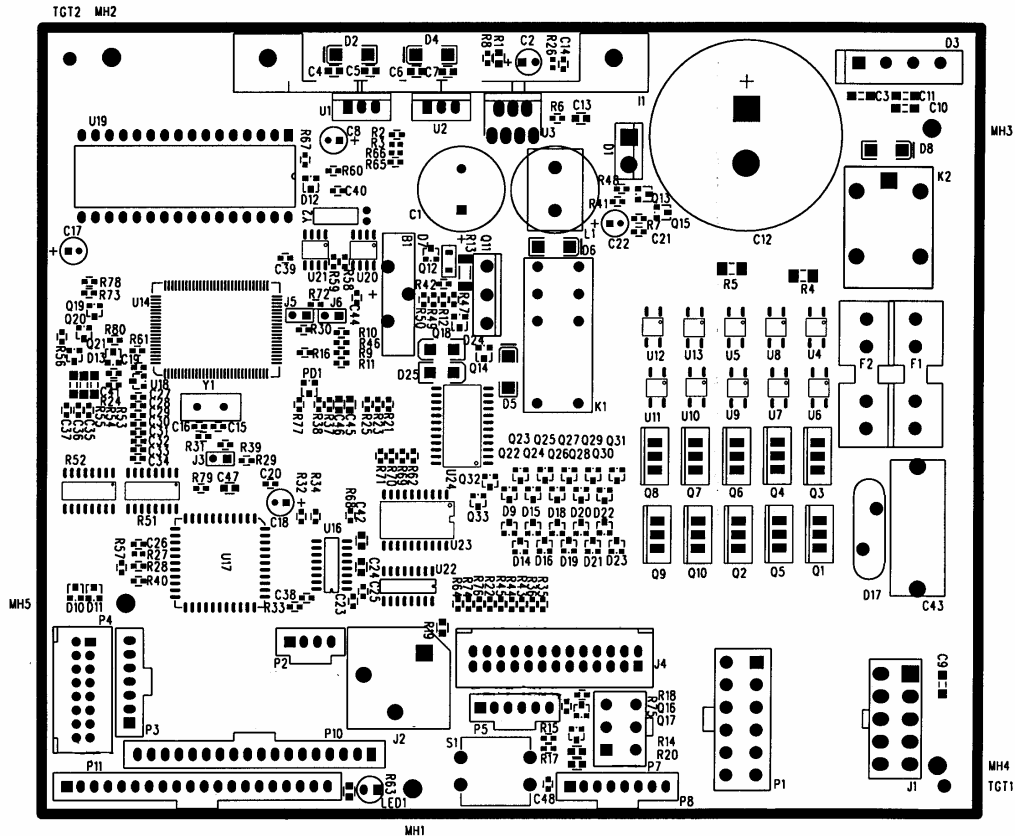


INNER DOOR

ITEM	PART DESCRIPTION	DN552P
	Inner Door Assembly	640,050,40x.x3
1	Inner Door Gasket	801,819,05x.x1
2	Sub Assembly Inner Door	640,050,70x.x3
3	Label, STS/Package Set Up	803,871,37x.x1
4	Gate, Front Product Positioner	801,819,15x.x1
5	Discharge Frame Retainer	801,809,15x.x1
6	Assembly Discharge Frame	801,809,16x.x1
6a	Assembly Discharge Door	801,809,17x.x1
6b	Frame, Discharge	801,809,14x.x1
6c	Rod, Hinge (Not Shown)	801,401,70x.x1
7	Carriage Bolt 1/4-20x1/4	900,201,23x.x1
8	Screw, SD Phil Pan Sems	900,301,65x.x1
9	Pull Knob	901,501,70x.x1
10	Inner Door Bushing (Bearing)	801,806,42x.x1
11	Bushing Retainer (Not Shown)	801,806,43x.x1
12	Plastic Bearing (Not Shown)	901,803,71x.x1
13	Top Inner Door Hinge (Not Shown)	169,053,00x.x3
14	Bottom Inner Door Hinge (Not Shown)	169,051,10x.x3
15	Inner Door Lock Kit	631,151,50x.x4

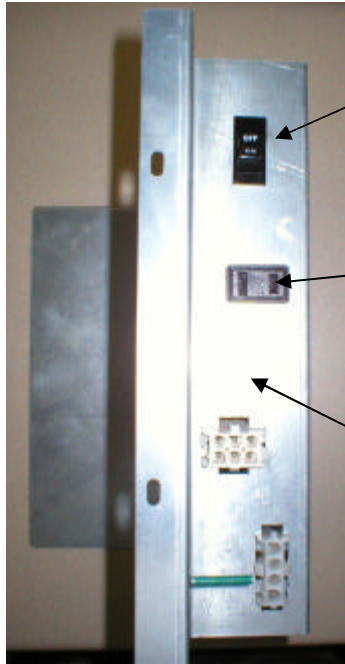
HARNESSING Single Board (SBC)

ITEM	PART DESCRIPTION	DN552P
1	Motor Harness (Stack)	000594
2	Board Power Harness (includes transformer) J1	000114
3	Harness, P-Series 44" Door	000110
4	Harness, MDB 25"	804,920,83x.x1
5	Harness, Membrane	804,921,13x.x1
6	66" DEX Harness	804,907,83x.x1
7	Display Harness (P3 to display board)	804,919,57x.x1
8	Secondary DEX Harness	804,913,97x.x1
9	MDB and Lock Power Harness (P7)	804,919,57x.x1
10	Harness, Relay Power Distribution	804,920,96x.x1
11	Harness, Power Distribution (In)	804,920,98x.x1
12	Harness, Power Distribution (Out)	804,920,97x.x1
13	Harness, AC Distribution	804,921,15x.x1
14	Harness, AC Dist Extended	000113
15	Harness, Door Switch Extended	804,921,01x.x1
16	Power cord, Detachable	804,917,28x.x1
17	Evaporator Fan Harness - 3	804,921,73x.x1



- | | | | |
|----|-------------------|-----|----------------|
| P1 | Motor | P10 | Sold Out LED's |
| P2 | Secondary DEX | P11 | Ready to Vend |
| P3 | Display | J1 | AC Power |
| P4 | Select Switches | J2 | DEX |
| P5 | Temp Sensor | J4 | Cam / Sold Out |
| P7 | MDB | B1 | Battery |
| P8 | Energy Management | | |

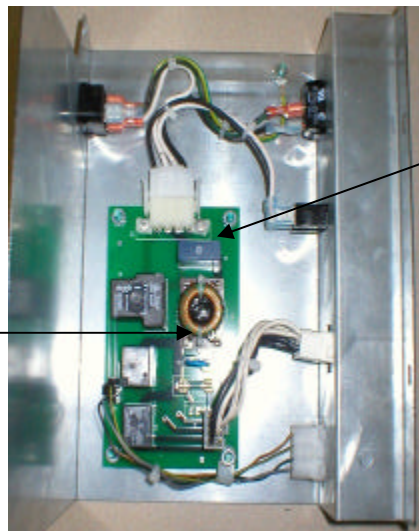
POWER DISTRIBUTION



Power Switch
804,915,15x.x1

Power outlet 110V
804,913,62x.x1

Power Dist Box Ass'y
639,030,00x.x3

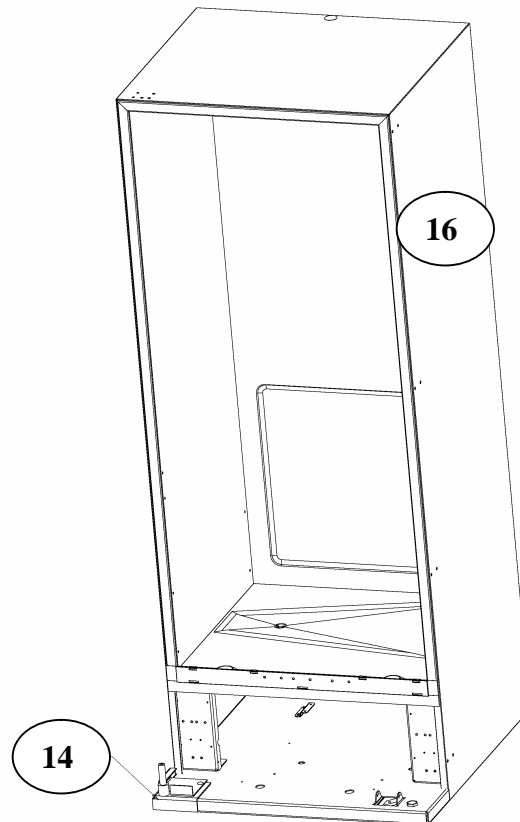
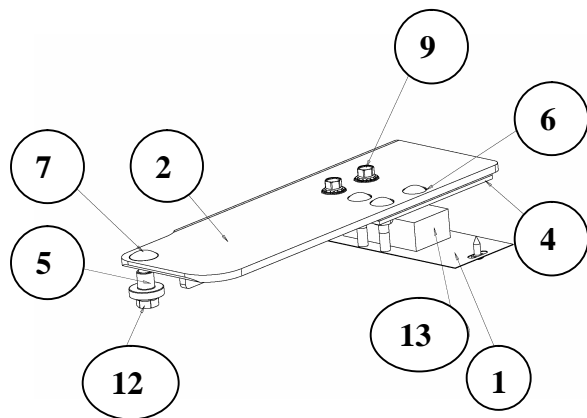


Board with 3 Relays
804,921,06x.x1

Fuse 1.6 Amp
804,800,71x.x1

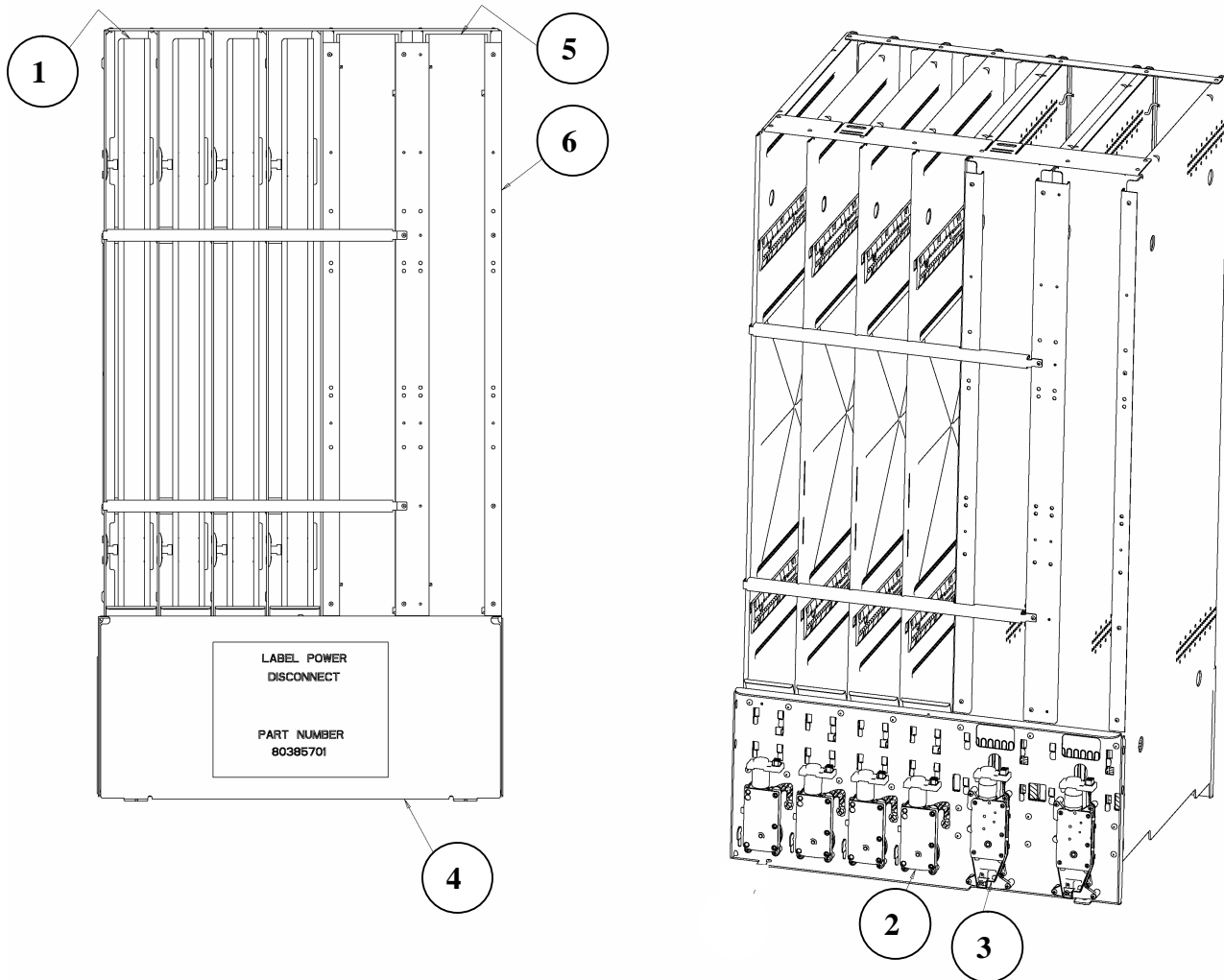
**CABINET AND VEND MECHANISM
(Section 1)**

ITEM	PART DESCRIPTION	DN552P
1	Cover, Hinge Pocket	631,051,07x.x3
2	Weld assembly Top Hinge (Main Door)	631,051,12x.x3
3	Kit, Door Hinge	639,050,70x.x3
4	Hinge, Spacer	169,000,15x.x3
5	Bearing, Hinge – Pin less	805,300,42x.x1
6	Bolt, Carriage ¼ - 20 x 1 ¼ (3)	900,201,23x.x1
7	Bolt, Carriage 5/16 – 18 x 1 ¼ (1)	900,201,85x.x1
8	Screw, Phil Pan 8 – 18 x ½ (1)	900,301,50x.x1
9	Screw, Hex Tap 14-20 x 1 (2)	900,301,73x.x1
10	Sleeve, bottom hinge	900,502,64x.x1
11	Hex Nut ¼ - 20	900,800,67x.x1
12	Nut, Hex Jam 5/16 - 18	900,801,02x.x1
13	Block, Foam	903,300,77x.x1
14	Hinge, Bottom (Main Door)	631,152,40x.x3
15	Stack Supports (Not Shown)	639,070,26x.x3
16	Foam Cabinet Assembly	640,060,20x.x3



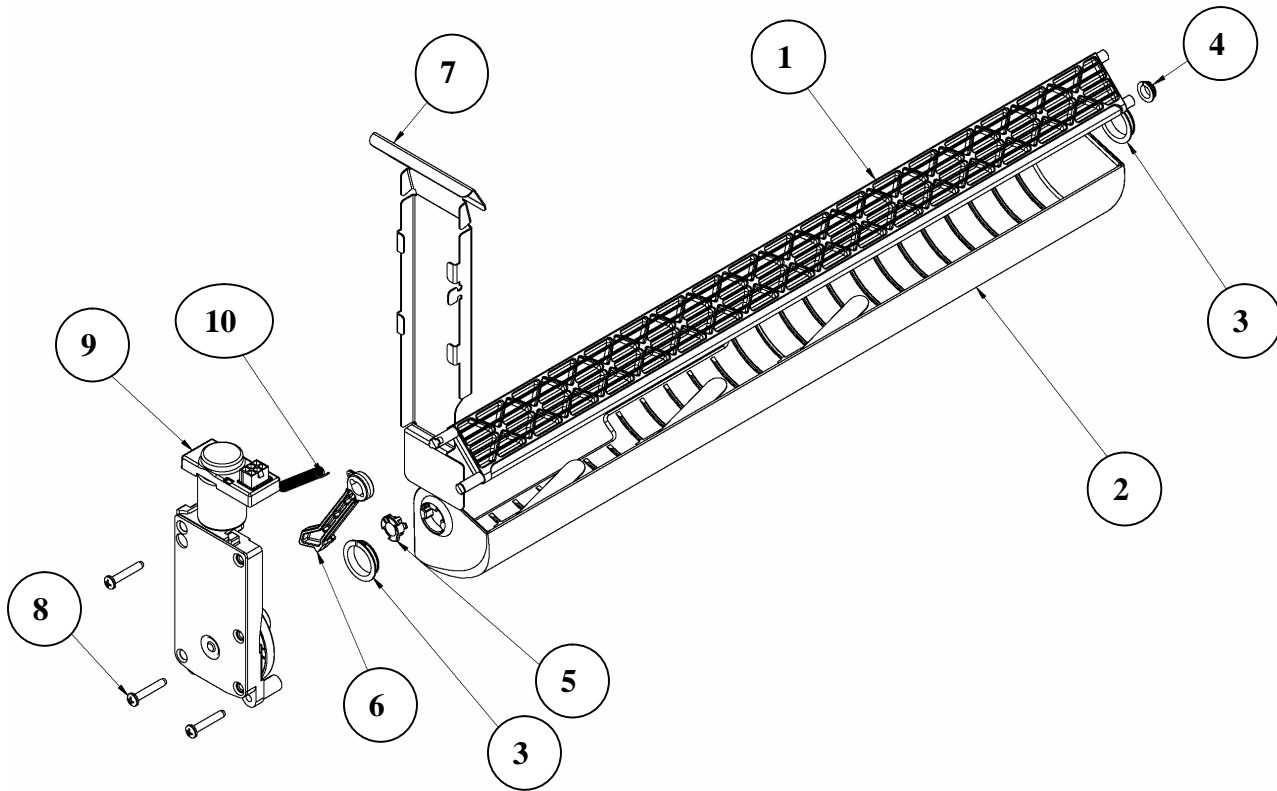
**CABINET AND VEND MECHANISM
(Section 2)**

ITEM	DESCRIPTION	DN552P
1	Assembly Rear Spacer Narrow	000164
2	Vend Motor - Narrow Column	804,501,23x.x1
3	Vend Motor - Wide Column	000908
4	Vend Motor Cover	640,070,06x.x3
5	Assembly Rear Spacer Wide	000165
6	Stack Assembly 6 Column	640,070,90x.x3
A9	Screw, Phil Pan 8-32x1 (12)	000065



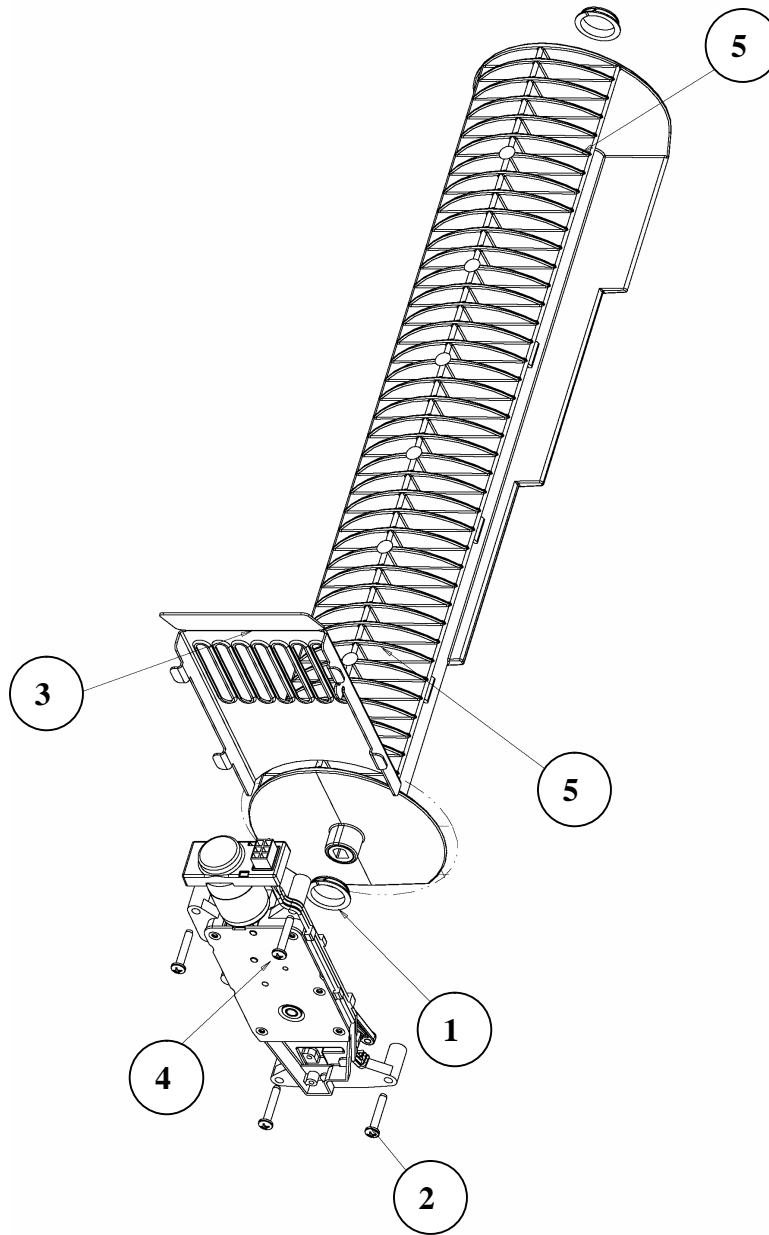
CABINET AND VEND MECHANISM
(Section 2)

ITEM	DESCRIPTION	DN552P
1	Load Bar - steel	801,306,59x.x1
2	Vend Rotor - Narrow Column	000002
3	Nyliner, .750	000018
4	Nyliner, .312	000019
5	Bushing, .312 (Load Bar)	000020
6	Push Arm	000062
7	Front Gate Extension (Narrow)	639,070,14x.x3
8	Screw, Phil Pan 8-32x1	000065
9	Vend Motor Assy., Narrow (Electronic)	804,501,23x.x1
10	Spring - Push Arm	000539



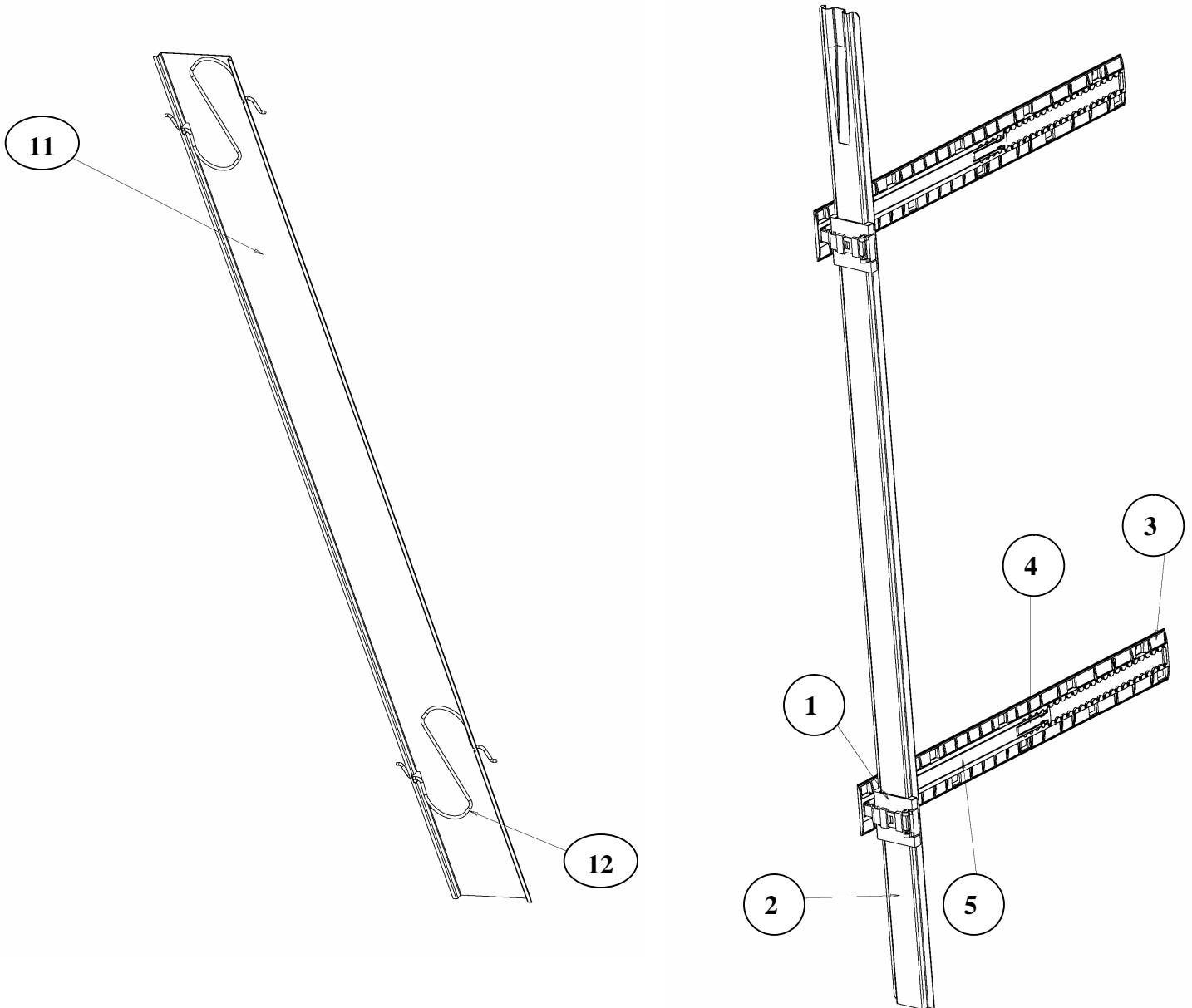
**CABINET AND VEND MECHANISM
(Section 2)**

ITEM	DESCRIPTION	DN552P
1	Nyliner, .750	000018
2	Screw, 8-32 x 1 Phil Pan	000065
3	Front Gate Extension, Wide	639,070,13x.x3
4	Vend Motor Assy., Wide (Electronic)	000908
5	Vend Oscillator - Wide Column	801,201,73x.x1
6	Package Retainer - Oscillator	801,807,87x.x1



**CABINET AND VEND MECHANISM
(Section 2)**

ITEM	PART DESCRIPTION	DN552P
	Assembly Rear Spacer, Narrow	000164
1	Bracket Rear Spacer, Narrow	000071
2	Spacer Rear Narrow	639,070,27x.x3
3	Guide Channel	000926
4	Latch, Rear Spacer	000927
5	Assembly Guide Arm	000936
	Assembly Rear Spacer, Wide	000615
11	Rear Spacer, Wide	000614
12	Latch Spring Wide	901,700,87x.x1

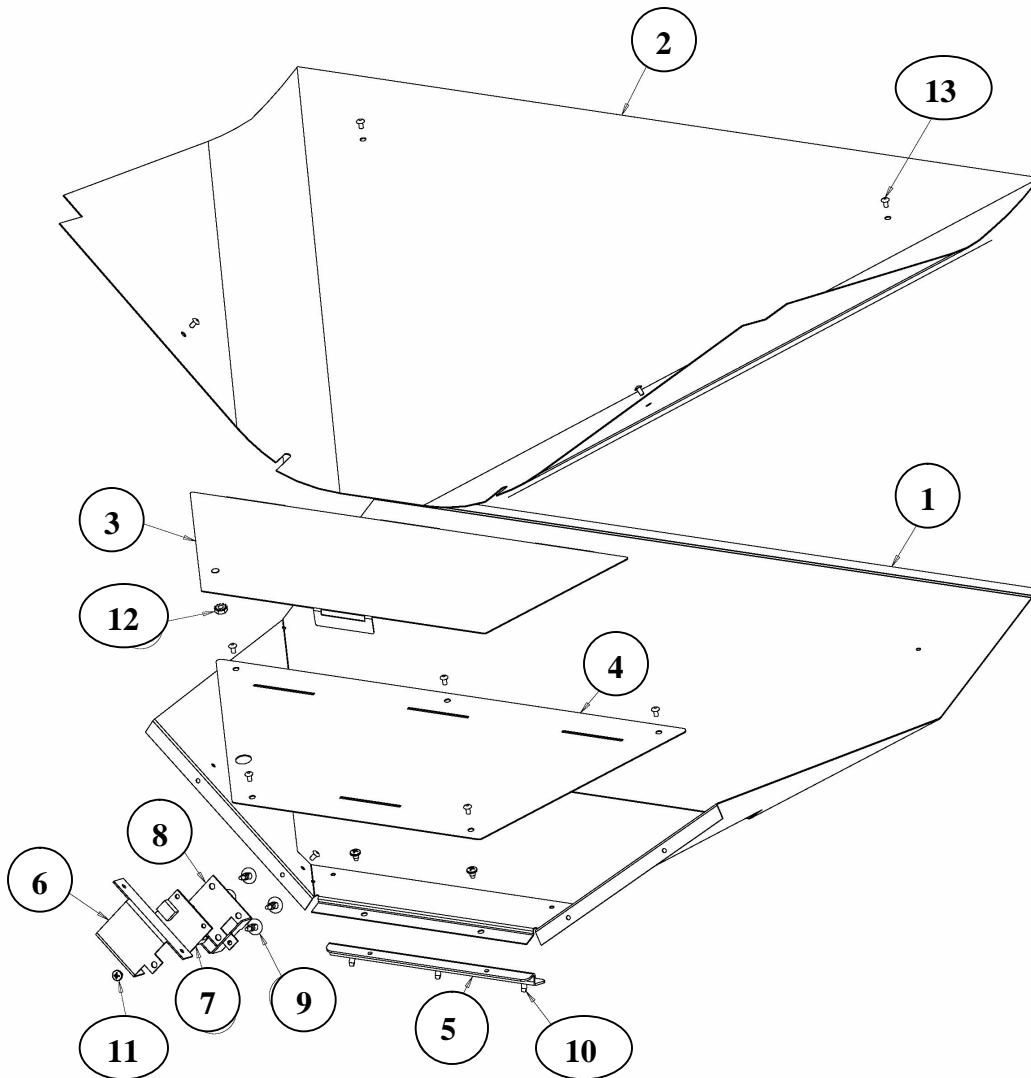


**CABINET AND VEND MECHANISM
(SECTION 3)**

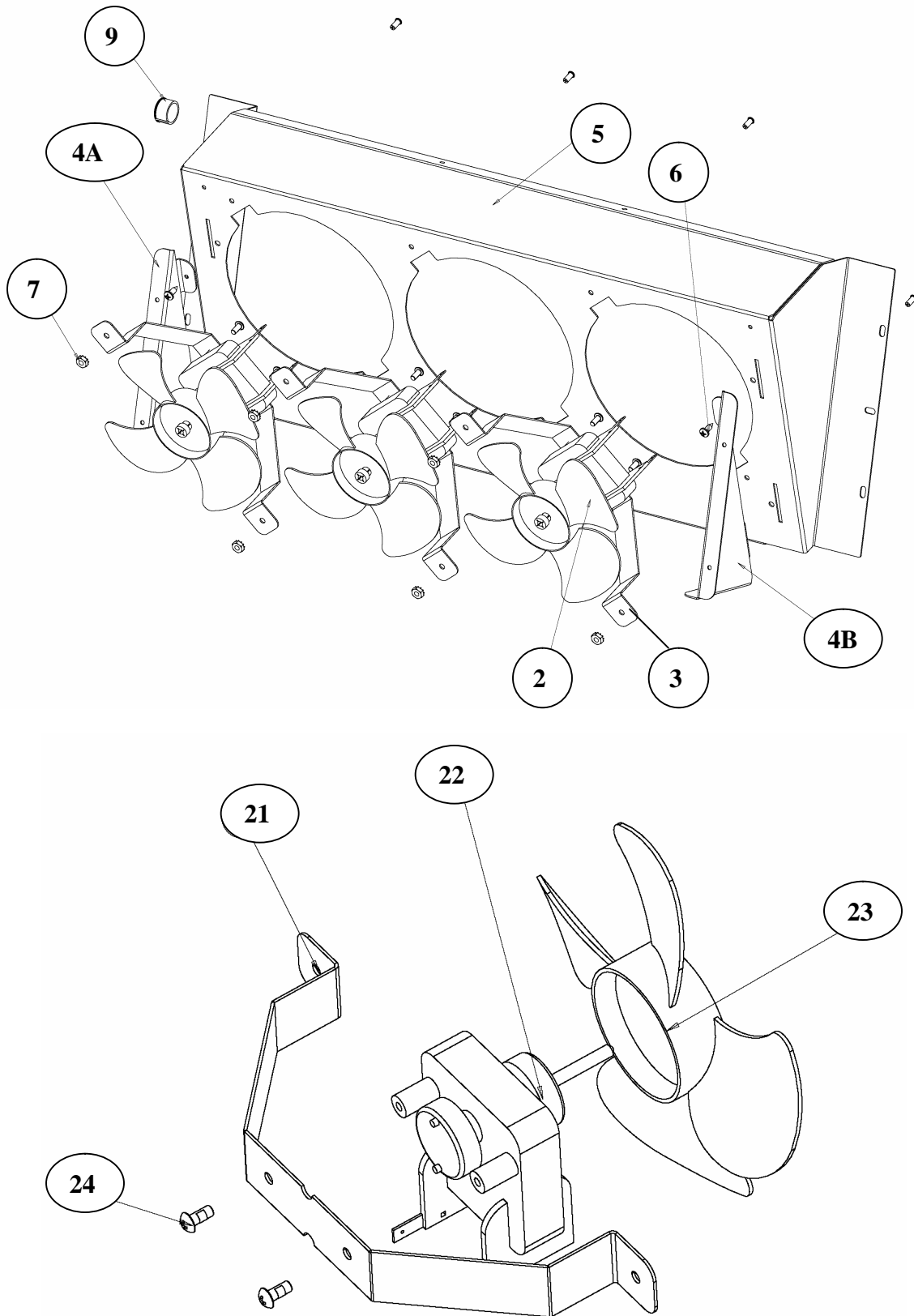
ITEM	DESCRIPTION	DN552P
1	Plate, Protective Left Side (Specify Color)	594,020,14x.x3
2	Plate, Protective Right Side Cabinet (Specify Color)	165,000,04x.x3
3	Caterpillar Grommeting	801,809,93x.x1
4	Mullion	000076
5	Mullion Cap	801,818,92x.x1
A4	Screw, Phil Pan 8-18x1/2	900,301,50x.x1
A5	Screw, Phil Pan Swage Form #8-32x1/4"	900,301,97x.x1
A9	Screw, Phil Pan 8-32x3/8	900,301,56x.x1
A10	Screw, Machine #6-32x1 1/4"	900,201,31x.x1
A14	Screw, Phil Pan 10-32x1 1/4	900,301,81x.x1
A16	Screw, Phil Pan Sems 8-18x1/2"	900,301,65x.x1
A17	Screw, Type F 1/4-20x5/8 (Stack Bolts)	900,302,01x.x1
A19	Screw, Phil Pan 10-32x5/8	900,901,51x.x1
A21	Screw, Phil Pan 8-18x1/2	900,301,98x.x1
A26	Screw, Phil Pan 8-18x3/4	800,303,15x.x1
B2	Hex Nut 1/4"-20	900,800,67x.x1
C6	Lockwasher, Shakeproof 5/8" (1132-00-00-0551), Leveling Leg	900,700,89x.x1
C8	Washer, Shakeproof (4610-16-01-0551)	900,700,62x.x1
E9	Carriage Bolt 1/4-20x5/8	800,303,19x.x1
F1	Pop Rivet, Aluminum 1/4"	901,100,43x.x1
F5	Pop Rivet, Steel (Zinc Plated) 1/8"	901,100,61x.x1
F6	Pop Rivet, Aluminum 1/8"	901,100,53x.x1
H2	Tinnerman Clip, Fan Shroud (C5207-014-3B)	900,901,89x.x1
H7	Hole Plug, Snap In - 1 ¼	801,807,01x.x1
I6	Clamp, Nylon 5/16 White Heyco 3555 or Dennison 10159	800,902,51x.x1
I7	Clamp, Nylon 1/2" Heyco 3328	900,901,80x.x1

CHUTE ASSEMBLY

ITEM	PART DESCRIPTION	
	Chute Assembly	640,070,30x.x3
1	Chute	640,070,09x.x3
2	Liner, Chute	640,070,13x.x3
3	Sensor Plate Assembly	000649
4	Sensor Support Plate	000650
5	Bracket, Chute	000658
6	Housing Vend Sensor Board	000888
7	Board, Vend Sensor	000902
8	Cover, Sensor Housing	000937
9	Standoff	801,903,80x.x1
10	Screw, 8-32 x 3/8 Phil Pan Type 1	900,301,56x.x1
11	Screw, 8-32 Phil Pan, Swageform	900,301,97x.x1
12	Hex Nut #8-32	900,800,50x.x1
13	Rivet 1/8 Steel Zinc Plate	901,100,61x.x1
14	Jumper, Vend Sensor Board	000919



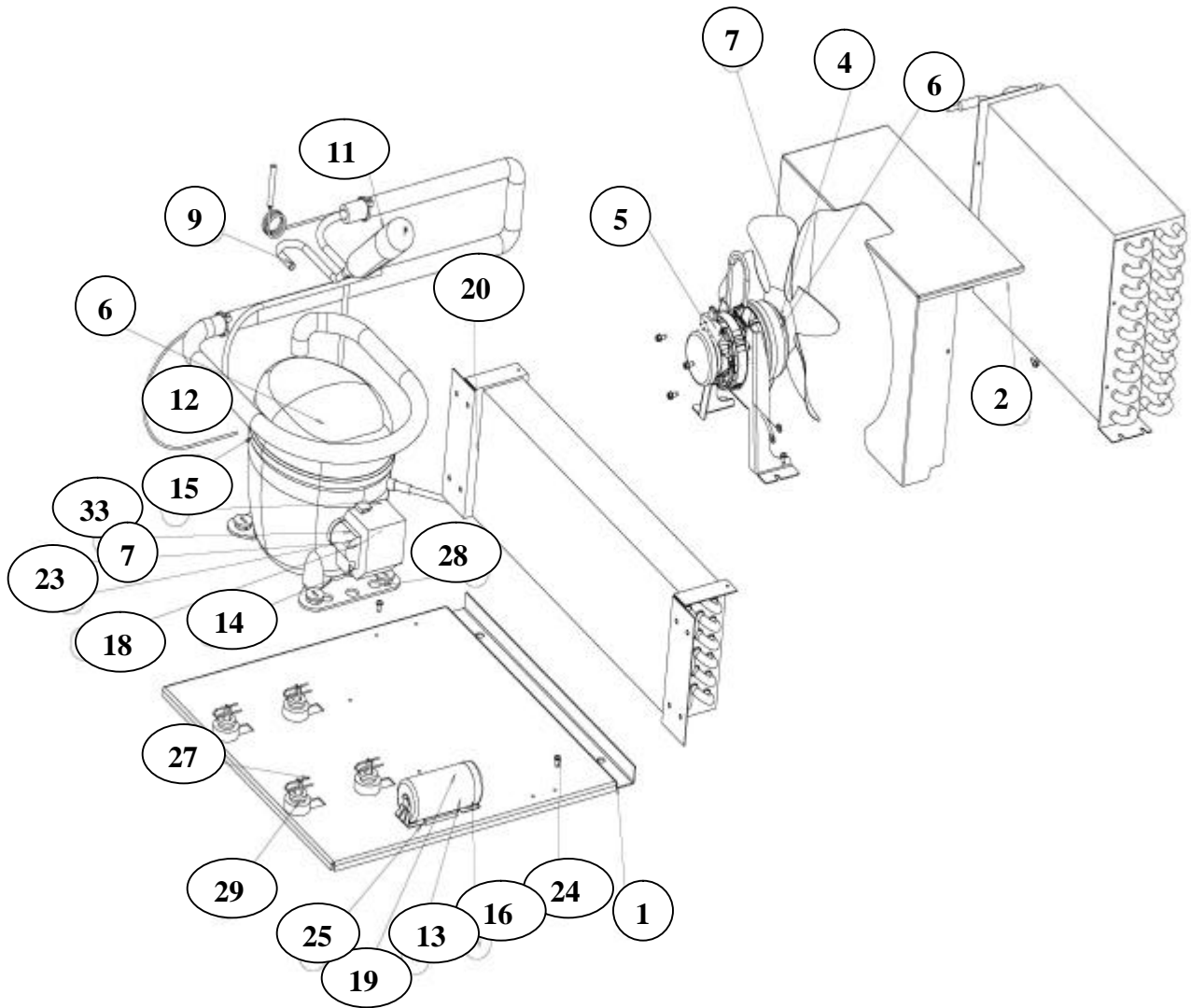
EVAPORATOR FAN ASSEMBLY



EVAPORATOR FAN ASSEMBLY

ITEM	DESCRIPTION	DN552P
1	Harness, Evaporator Fan	804,921,73x.x1
2	Evaporator Fan Motor Assy. 115V/60Hz	640,040,30x.x3
3	Bracket, Evaporator Fan Motor	640,040,06x.x3
4A	Bracket, Evaporator Fan Panel Left Hand	640,040,08x.x3
4B	Bracket, Evaporator Fan Panel Right Hand	640,040,07x.x3
5	Sub Assembly Evaporator Fan Shroud – 3	640,040,20x.x3
6	Screw, Phil Pan 8 - 18 x 1/2"	900,301,50x.x1
7	Hex Nut	900,800,65x.x1
8	Tie, 5.5 " Hand	901,901,06x.x1
9	Bushing, 3/4" split Heyco	901,902,17x.x1
10	Screw, Sems Phil Pan 8 – 32 x 3/8	800,303,42x.x1
11	Strip, Poly Foam 24.5" (under chute) "Air Stop" (Not Shown)	803,301,38x.x1
21	Fan Bracket, Evaporator	640,040,06x.x3
22	Evaporator Fan Motor 115V 3000 RPM 0.5 Amp	804,501,25x.x1
23	Blade, Fan 6.0" CW (4 blade plastic)	801,818,88x.x1
24	Speed Nut (Evaporator fan) (Not Shown)	900,800,85x.x1

REFRIGERATION SYSTEM



**REFRIGERATION SYSTEM
(SECTION ONE)**

ITEM	DESCRIPTION	
	Model 3000C-E Kit 115V/60Hz	TBD
	Model 3000C-E Refrigeration Unit 115V	640,040,50x.x3
1	Base Plate	639,040,02x.x3
2	Condenser, 1.33 FPI	802,600,69x.x1
3	Assembly, Heat Exchanger	640,040,00x.x3
4	Fan Blade, Condenser (FV900CW30S)	801,306,65x.x1
5	Assembly, Condenser Fan Motor 115/60	804,501,24x.x1
6	Tube Discharge	640,040,04x.x3
7	Shroud, Condenser	640,040,02x.x3
8	Label, Name Plate 115/60	803,872,04x.x1
9	Tube, Evaporator – Accumulator Adapter	491,040,19x.x3
10	Solder, Silver 30%	802,300,04x.x1
11	Accumulator	802,400,46x.x1
12	Dryer,.054 Extended outlet, 134A	802,401,29x.x1
13	Capacitor End Cap, Bottom Hole	802,501,18x.x1
14	Compressor E FFI12HBX 115/60	802,501,74x.x1
15	Cover, Embraco (1.355.504 short)	802,501,86x.x1
16	Bracket, Capacitor	802,501,87x.x1
17	Overload, MRT 22AFZ-5598	802,502,10x.x1
18	Relay, 1.351.605	802,502,13x.x1
19	Capacitor, Start 233-280 MFD/165V	802,502,21x.x1
20	Evaporator, Short	802,600,37x.x1
21	Freon, Refrigerant, 134a	802,700,06x.x1
22	Tube, ¼ OD x .028 W, Copper	803,000,39x.x1
23	Screw, Brass 6-32x1/4	900,201,44x.x1
24	Screw, 8-32x3/8	900,301,56x.x1
25	Screw, Phil Flat Head 10-32x1/2	900,301,94x.x1
26	Nut, Speed	900,800,85x.x1
27	Clip, Spring	900,901,88x.x1
28	Plug, Compressor Grommett	901,803,91x.x1
29	Grommet, Compressor	902,000,57x.x1
30	Silencer	902,100,29x.x3
31	Solder, 0% Silver Brazing Allow	902,600,52x.x1
32	Label, 134a Recoverable Substance	903.833.54x.x1
33	Terminal	904,601,36x.x1
34	Lead, Compressor (harness)	904.900.61x.x1
35	Rubatex, 27" (Not Shown)	640,040,12x.x3
36	Drain Pan Assembly with Fiberglass Soakers (Not Shown)	805,800,71x.x1
37	Soakers, Fiberglass (14 required) (Not Shown)	905,800,69x.x1
38	Ingress Guard	000455
39	Drain Tube	801,806,05x.x1
40	Drain Tube Nut	900,301,79x.x1
41	Drain Hose	901,900,50x.x1
42	Drain Hose Clamp	900,901,03x.x1
43	Power Cord (Detachable)	804,917,28x.x1
44	Temperature Sensor Encapsulated (Not Shown)	000115

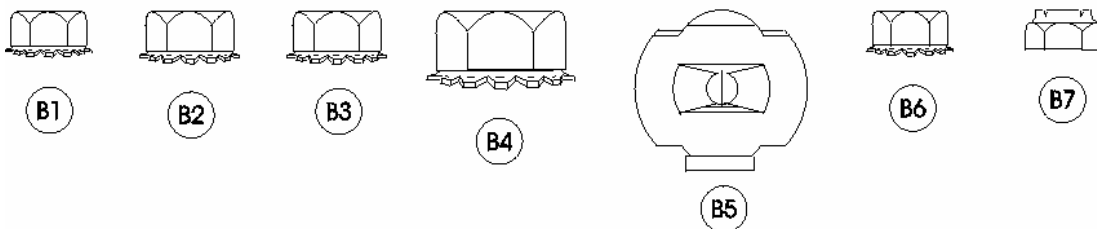
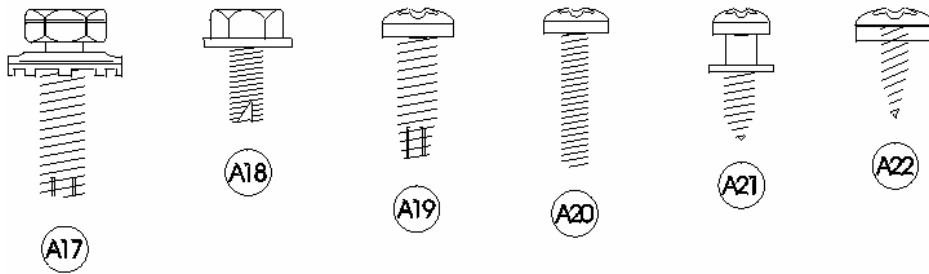
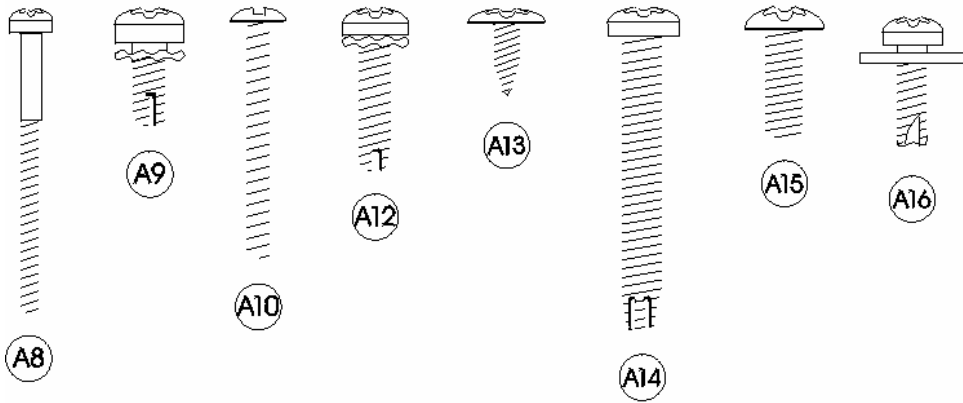
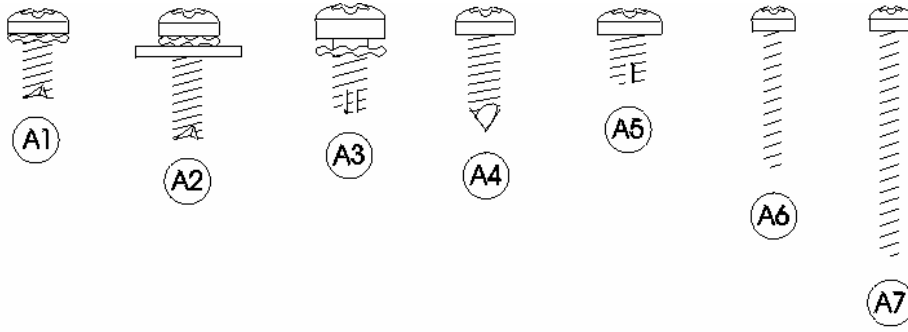
MISC. LABELS

ITEM	DESCRIPTION	DN552P
1	Labels	
	Price Label Sheet .50- 1.25	903,828,82x.x1
	Generic Programming (English)	803,870,25x.x1
	STS/Package Set-Up Label Domestic	803,871,37x.x1
	Warning: Do Not Tilt	803,868,29x.x1
	134A Removable Substance	903,833,54x.x1
	Money Removed Daily	903,805,70x.x1
	Label, Warning Disconnect Main Power cord	803,868,02x.x1
	Label, Main Power	803,860,85x.x1
	Skid Removal	903,828,70x.x1
	Coin Mechanism Label	903,901,30x.x1
	Fuses F1-Amp, F2-6A	803,843,91x.x1
	Fuse, 1.6 Amp	804,800,71x.x1
	Label, 1.6 Amp Fuse	803,868,03x.x1
	Mercury Notice Label	803,860,59x.x1
	Notice - No Refund Label	803,860,53x.x1
	Motor Cover Label, Power Disconnect	803,857,01x.x1
	Label, Coin Insert Generic	803,837,66x.x1
	Button & Stack Label	803,871,37x.x1
	Label, Upper Refill Narrow Column	000249
	Label, Upper Refill Wide Column	000250
	Label, Lower Refill Narrow Column	000252
	Label, Lower Refill Wide Column	000253
	Kit, ID Number Labels -7 (1-7)	615,000,10x.x4
2	Wiring Diagram Generic – 7 Select	803,871,48x.x1
3	Installation & Set up Guide	TBD
4	Technical Manual	803,903,79x.x1

DOMESTIC SIGNS & SIDE DECALS
(Contact Parts Department for any not listed)

ITEM	DESCRIPTION	DN552P
1	Side Decals Splash	803,861,16x.x1
2	Sign, 7 Up Splash	805,034,04x.x1

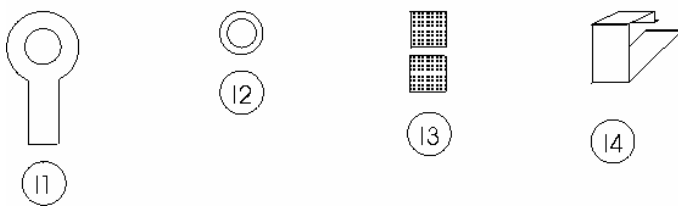
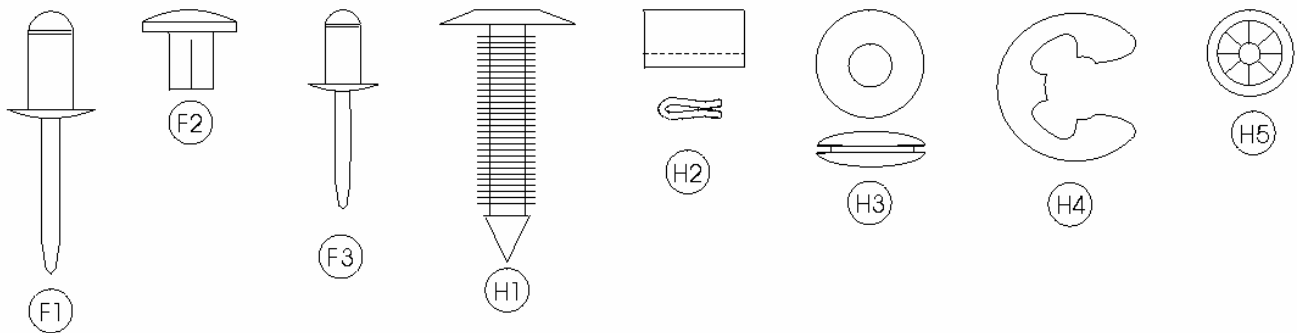
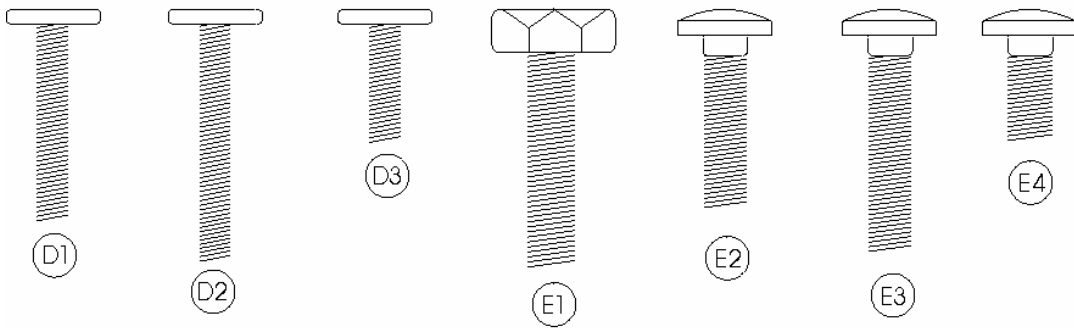
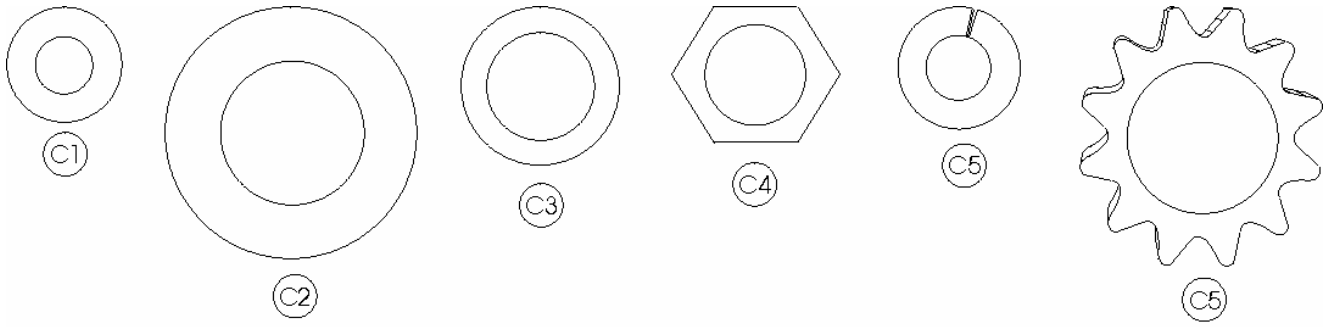
SCREWS & NUTS



SCREWS & NUTS

ITEM	PART NUMBER	PART NAME AND DESCRIPTION
A1	900,301,70x.x1	Screw, Phil Pan Swage Form #6 - 32 x 3/8"
A2	900,301,64x.x1	Screw, Phil Pan Swage Form w/washer #8 - 32 x 1/2"
A3	900,301,83x.x1	Screw, Phil Pan Swage Form #10 - 32 x 5/16"
A4	900,301,50x.x1	Screw, Phil Pan w/out washer, #8 - 18 x 1/2"
A5	900,301,97x.x1	Screw, Phil Pan Swage Form #8 - 32 x 1/4"
A6	900,300,47x.x1	Screw, Vend Motor, #4-24 x 3/4" Single Switch (NOT USED)
A7	900,301,82x.x1	Screw, Vend Motor, #4-24 x 1 1/16" Double Switch (NOT USED)
A8	900,301,61x.x1	Screw, Vend Motor, #4-24 x 1 1/2" Triple Switch (NOT USED)
A9	900,301,56x.x1	Screw, Phil Pan Cutting #8 - 32 x 3/8"
A10	900,201,31x.x1	Screw, Machine, #6 - 32 x 1 1/4"
A11	900,301,97x.x1	Screw, Phil Pan Sems #8 - 32 x 1/4"
A12	900,301,85x.x1	Screw, Phil Thread Form #8 - 32 x 5/8"
A13	900,300,16x.x1	Screw, Phil Head Truss #6 x 3/8"
A14	900,301,81x.x1	Screw, Phil Pan Form #10 - 32 x 1 1/4"
A15	900,201,14x.x1	Screw, Machine Truss, #10 - 32 x 1/2"
A16	900,301,65x.x1	Screw, Phil Pan Sems with washer, #8 - 18 x 1/2"
A17	900,302,01x.x1	Screw, Self Tapping, 1/4 - 20 x 5/8"
A18	900,301,69x.x1	Screw, Hex Head Swage Form #8 - 36 x 3/8"
A19	900,901,51x.x1	Screw, Phil Pan Tapping #10 - 32 x 5/8"
A20	900,201,22x.x1	Screw, Machine Phil Pan #8 - 32 x 3/4"
A21	900,301,98x.x1	Screw, Phil Pan Shoulder #8 - 18 x 1/2"
A22	900,301,84x.x1	Screw, Phil Pan #8-18x1/2"
A23	900,500,26x.x1	Shoulder Screw 1/2" Long
A24	900,201,13x.x1	Screw, Hex Head
A25	900,301,73x.x1	Screw, Tap 1/4-20x1" Type F
A26	800,303,15x.x1	Screw, Phil Pan #8-18x3/4"
A27	800,303,18x.x1	Screw, Truss Type 23 #8-32x1/2
A28	900,301,94x.x1	Screw, Phil Flat 23B #10-32x1/2"
A29	900,201,44x.x1	Screw, Machine Brass #6-32x1/4"
A30	900,301,99x.x1	Screw, Plastic 8-hi/low x 1 1/4
A31	900,301,55x.x1	Screw, Phil Pan Swage Form #8-32x1/2"
A32	900,303,08x.x1	Screw, Hex Washer Type 1 #8-32x3/8"
A34	800,303,22x.x1	Screw, Phil Pan #6-20x3/8
A35	900,302,02x.x1	Screw, Self Tapping, #8-18x3/4
A36	900,201,86x.x1	Screw, Phil Pan Head #6-32x1/4"
B1	900,800,65x.x1	Hex Nut, #10 - 32
B2	900,800,67x.x1	Hex Nut, 1/4 - 20
B3	900,800,50x.x1	Hex Nut, #8 - 32
B4	900,800,69x.x1	Hex Nut, Top Door Hinge, 3/8 - 16
B5	900,800,85x.x1	Speed Nut
B6	900,800,49x.x1	Hex Nut, #6 - 32
B7	900,800,51x.x1	Elastic Stop Nut, #8 - 32
B8	900,800,81x.x1	Hex Nut 8-32
B9	900,902,37x.x1	Push Nut, Acorn Type
B10	900,801,02x.x1	Hex Nut 5/16-18
B11	900,800,81x.x1	Hex Nut, Flange with Serrations 8-32

WASHERS, BOLTS, & MISC. HARDWARE



WASHERS, BOLTS, & MISC. HARDWARE

ITEM	PART NUMBER	PART NAME AND DESCRIPTION
C1	900,700,60x.x1	Washer, Delrin .047 Thick 3/8"IDx5/8"OD
C2	901,303,77x.x1	Washer, Door Hinge
C3	901,503,06x.x1	Washer, Flat #2949 (T-Handle)
C4	901,503,08x.x1	Washer, Hex #29-34 (T-Handle)
C5	900,700,36x.x1	Lockwasher, Split 3/8"
C6	900,700,89x.x1	Lockwasher, Shakeproof 5/8" (1132-00-00-0551)
C7	900,700,02x.x1	Steel Washer, 18 Gauge (1/2"x3/16")
C8	900,700,62x.x1	Washer, Shakeproof (4610-16-01-0551)
C10	900,700,83x.x1	Washer, Flat 18 Gauge (17/64"IDx5/8"OD)
C11	900,700,08x.x1	Washer, Flat 14 Gauge (5/16"-3/8"x7/8")
C12	801,902,48x.x1	Nylon Spacer
	900,701,05x.x1	Washer Flat (.343"ID x .688" OD .6T)
D1	900,400,43x.x1	T-Bolt, #8 - 32 x 1" (obsolete)
D2	900,400,41x.x1	T-Bolt, #8 - 32 x 1 3/8"
D3	900,40x.x5x.x1	T-Bolt, #8 - 32 x 3/4"
D4	900,400,45x.x1	T-Bolt, #8 - 32 x 1/2"
E1	900,400,44x.x1	Refrigeration Bolt, 3/8 - 16 x 1"
E2	900,201,17x.x1	Carriage Bolt, 1/4 - 20 x 1"
E3	900,201,23x.x1	Carriage Bolt, 1/4 - 20 x 1 1/4"
E4	900,201,45x.x1	Carriage Bolt, 1/4 - 20 x 1/2"
E5	900,201,54x.x1	Carriage Bolt, 1/4 - 20 x 3/8"
E6	900,201,56x.x1	Carriage Bolt, 1/4 - 20 x 3/4"
E7	900,303,12x.x1	Carriage Bolt, 1/4-20x5/8" (obsolete)
E8	900,201,85x.x1	Carriage Bolt, 5/16x18x1 1/4" Top Hinge (drop in)
E9	800,303,19x.x1	Carriage Bolt, 1/4-20x5/8"
E10	900,202,04x.x1	Carriage Bolt, 1/4-20x1/2" (red)
F1	901,100,43x.x1	Pop Rivet, Aluminum 1/4"
F2	901,100,44x.x1	Drive Rivet, #38-108-06-13 1/4" dia.
F4	901,100,54x.x1	Pop Rivet, Black 1/8"
F5	901,100,61x.x1	Pop Rivet, Steel (Zinc Plated) 1/8"
F6	901,100,53x.x1	Pop Rivet, Aluminum 1/8"
F7	901,100,60x.x1	Pop Rivet, Steel (Zinc Plated) 3/16"
H1	900,902,13x.x1	Christmas Tree Clip #354280307-00 (NOT USED)
H2	900,901,89x.x1	Tinnerman Clip, Fan Shroud (C5207-014-3B)
H3	900,401,09x.x1	Grommet, Bk. Rubber #97
H4	901,503,07x.x1	E-Ring #31-30
H5	900,900,90x.x1	Retainer, Roller Pin
H6	900,902,18x.x1	Tinnerman Clip
H7	801,807,01x.x1	Hole Plug, Snap in - 1 1/4
H8	901,806,77x.x1	Grommet, Admiral #B53351
H9	902,100,29x.x1	Silencer
I1	804,601,45x.x1	#6 Terminal Ring Crimp 16-14 AWG
I2	801,902,48x.x1	Nylon Spacer used on Coke D/O Boards
I3	801,809,12x.x1	Velcro Blocks
I4	801,807,49x.x1	Vender Defender Clamp

WASHERS, BOLTS, & MISC. HARDWARE

ITEM	PART NUMBER	PART NAME AND DESCRIPTION
I5	901,901,89x.x1	Clamp, Cable 1" Heyco 3390
I6	900,901,79x.x1	Clamp, Nylon 5/16" Black Heyco 3355 or Dennison 10159
I7	900,901,80x.x1	Clamp, Nylon 1/2" Heyco 3328
I8	901,901,06x.x1	Hand Tie, x.x"
I9	901,902,01x.x1	Wire Tie, 7 1/2"
I10	901,901,00x.x1	Wire Ties, 4"
I11	901,900,55x.x1	Clamp, Nylon 3/4" Heyco 3382BL
I12	901,902,83x.x1	Cable Tie, x.x"
I13	900,902,14x.x1	Canoe Clip #254-090-301-00-0108